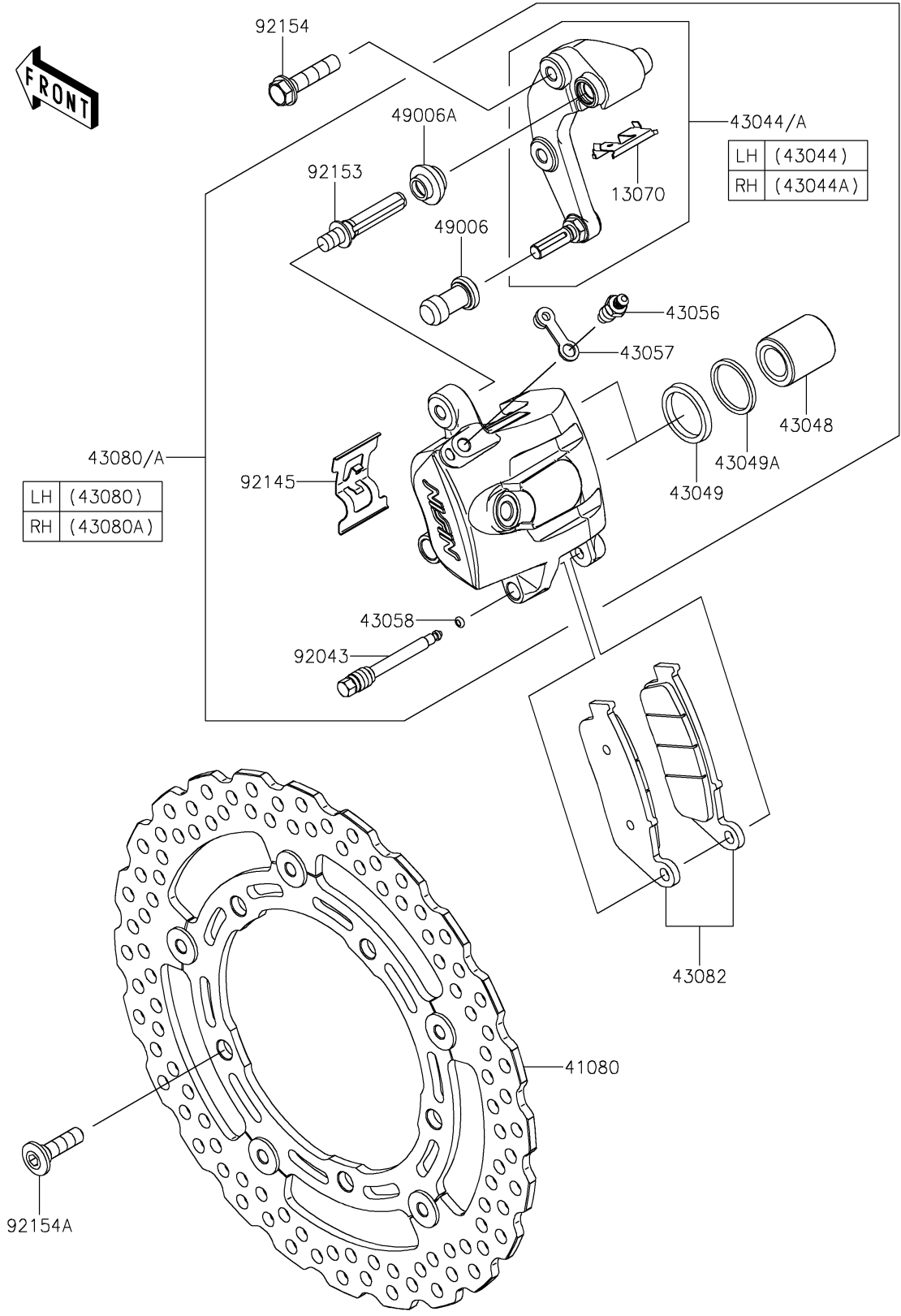


# 2022 Z650 ABS PARTS DIAGRAM

Front Brake



F2292

## 2022 Z650 ABS PARTS LIST

### Front Brake

| ITEM NAME                                   | PART NUMBER    | QUANTITY |
|---|----------------|----------|
| GUIDE,BRAKE PAD (Ref # 13070)               | 13070-0077     | 2        |
| DISC,BLACK+SIL (Ref # 41080)                | 41080-0666-11I | 2        |
| HOLDER-COMP-CALIPER,FR,LH (Ref # 43044)     | 43044-0078     | 1        |
| HOLDER-COMP-CALIPER,FR,RH (Ref # 43044A)    | 43044-0079     | 1        |
| PISTON-CALIPER (Ref # 43048)                | 43048-1068     | 4        |
| PACKING,PISTON SEAL (Ref # 43049)           | 43049-1060     | 4        |
| PACKING,PISTON SEAL (Ref # 43049A)          | 43049-1061     | 4        |
| BREATHER (Ref # 43056)                      | 43056-1055     | 2        |
| CAP-BREATHER (Ref # 43057)                  | 43057-1001     | 2        |
| RING,STOPPER (Ref # 43058)                  | 43058-1100     | 2        |
| CALIPER-SUB-ASSY,FR,LH,BLACK (Ref # 43080)  | 43080-0177-DJ  | 1        |
| CALIPER-SUB-ASSY,FR,RH,BLACK (Ref # 43080A) | 43080-0178-DJ  | 1        |
| PAD-ASSY-BRAKE (Ref # 43082)                | 43082-0165     | 2        |
| BOOT,CALIPER (Ref # 49006)                  | 49006-1088     | 2        |
| BOOT,CALIPER (Ref # 49006A)                 | 49006-1242     | 2        |
| PIN,HANGER (Ref # 92043)                    | 92043-0820     | 2        |
| SPRING,PAD (Ref # 92145)                    | 92145-0524     | 2        |
| BOLT (Ref # 92153)                          | 92153-1872     | 2        |
| BOLT,FLANGED,8X35 (Ref # 92154)             | 92154-1646     | 4        |
| BOLT,SOCKET,8X30 (Ref # 92154A)             | 92154-1865     | 10       |