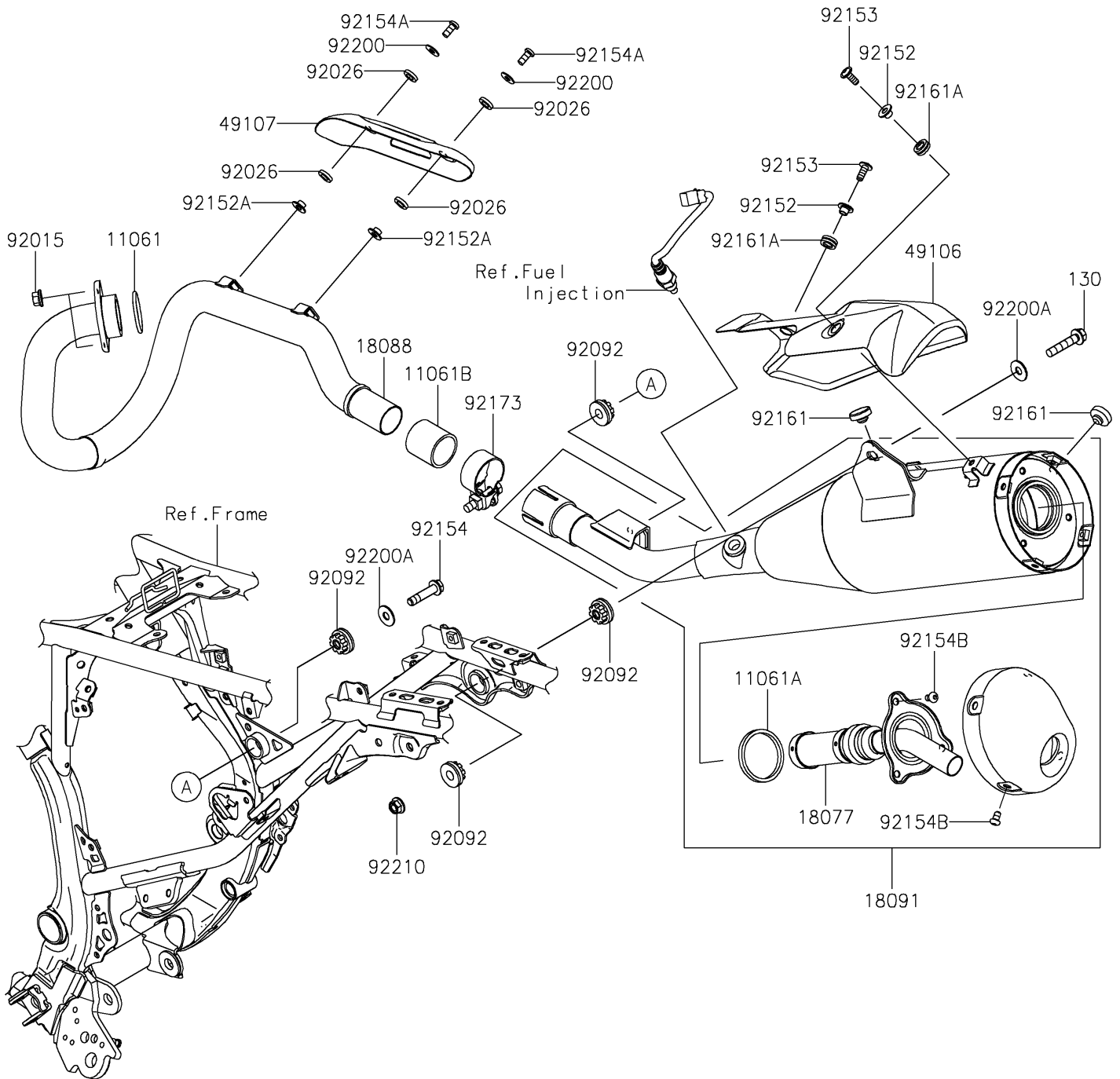


2022 KLX[®] 230 PARTS DIAGRAM

Muffler(s)

E1140



2022 KLX® 230 PARTS LIST

Muffler(s)

ITEM NAME	PART NUMBER	QUANTITY
GASKET,EX PIPE (Ref # 11061)	11061-0027	1
GASKET,J/P-SILENCER (Ref # 11061A)	11061-0174	1
GASKET,EXHAUST PIPE CONNECTING (Ref # 11061B)	11061-1407	1
ARRESTER-SPARK (Ref # 18077)	18077-0046	1
PIPE-EXHAUST (Ref # 18088)	18088-1453	1
BODY-COMP-MUFFLER (Ref # 18091)	18091-1216	1
COVER-MUFFLER (Ref # 49106)	49106-0840	1
COVER-EXHAUST PIPE (Ref # 49107)	49107-0813	1
NUT,8MM (Ref # 92015)	92015-1143	2
SPACER,8.7X15.2X3 (Ref # 92026)	92026-0868	4
BUSHING-RUBBER (Ref # 92092)	92092-0018	4
COLLAR,6.3X8.3X16 (Ref # 92152)	92152-1602	2
COLLAR,6.3X8.3X6.2 (Ref # 92152A)	92152-2586	2
BOLT,SOCKET,6X16 (Ref # 92153)	92153-0817	2
BOLT,FLANGED,8X36 (Ref # 92154)	92154-1301	1
BOLT,6X14 (Ref # 92154A)	92154-3955	2
BOLT,SOCKET,6X10 (Ref # 92154B)	92154-4336	7
DAMPER,MUFFLER (Ref # 92161)	92161-1284	2
DAMPER (Ref # 92161A)	92161-1475	2
CLAMP (Ref # 92173)	92173-2189	1
WASHER,6.5X16X1 (Ref # 92200)	92200-1974	2
WASHER,8.5X22X1.5 (Ref # 92200A)	92200-1975	2
NUT,LOCK,FLANGED,8MM (Ref # 92210)	92210-0140	1
BOLT-FLANGED,8X40 (Ref # 130)	130CA0840	1