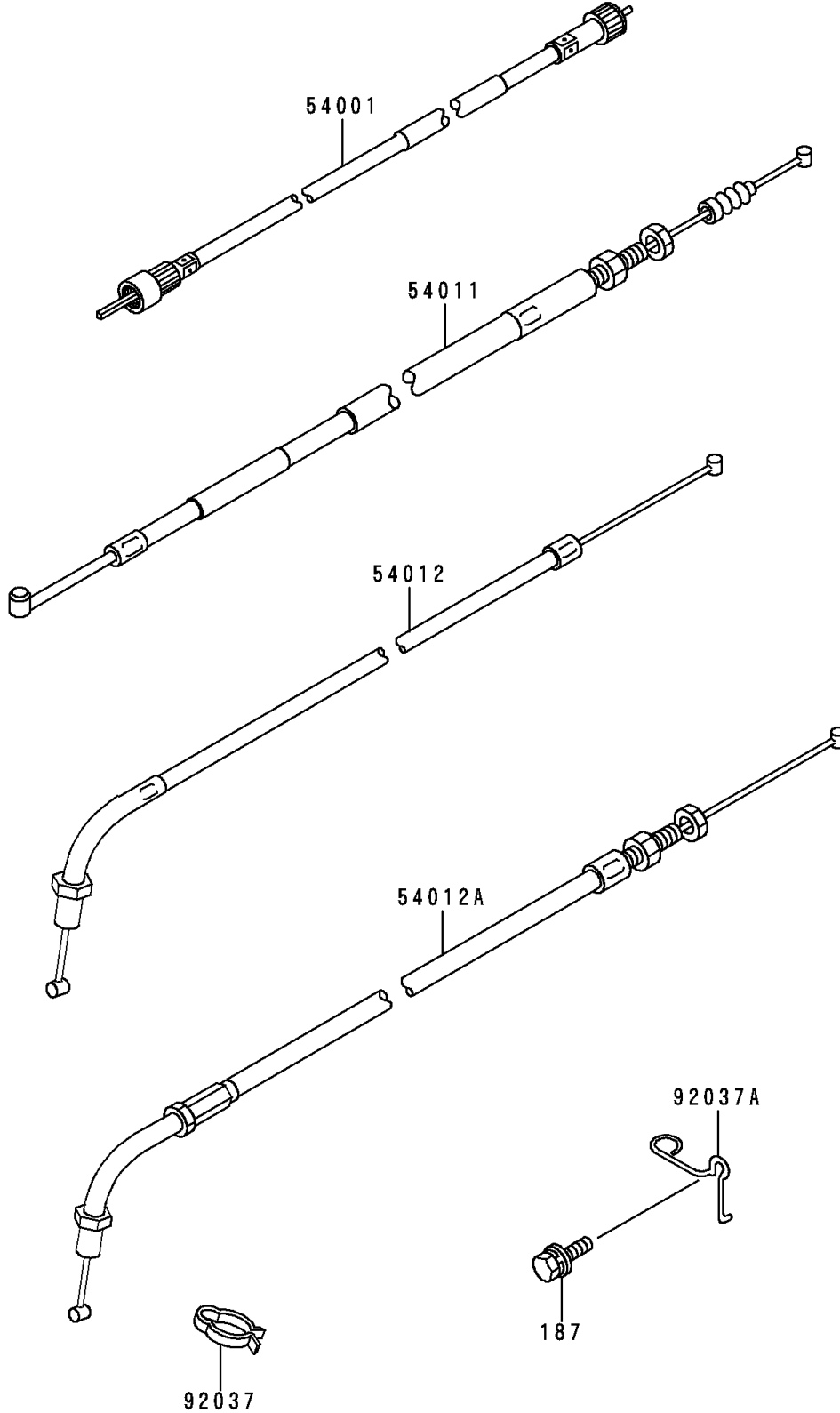


1996 Police 1000 PARTS DIAGRAM

Cables

F2540



1996 Police 1000 PARTS LIST

Cables

ITEM NAME	PART NUMBER	QUANTITY
BOLT-UPSET-WSP (Ref # 187)	187B0614	1
CABLE-SPEEDOMETER (Ref # 54001)	54001-1029	1
CABLE-CLUTCH (Ref # 54011)	54011-4005	1
CABLE-THROTTLE (Ref # 54012)	54012-1124	1
CABLE-THROTTLE (Ref # 54012A)	54012-4004	1
CLAMP,CABLE (Ref # 92037)	92037-093	1
CLAMP,CLUTCH CABLE (Ref # 92037A)	92037-1253	1