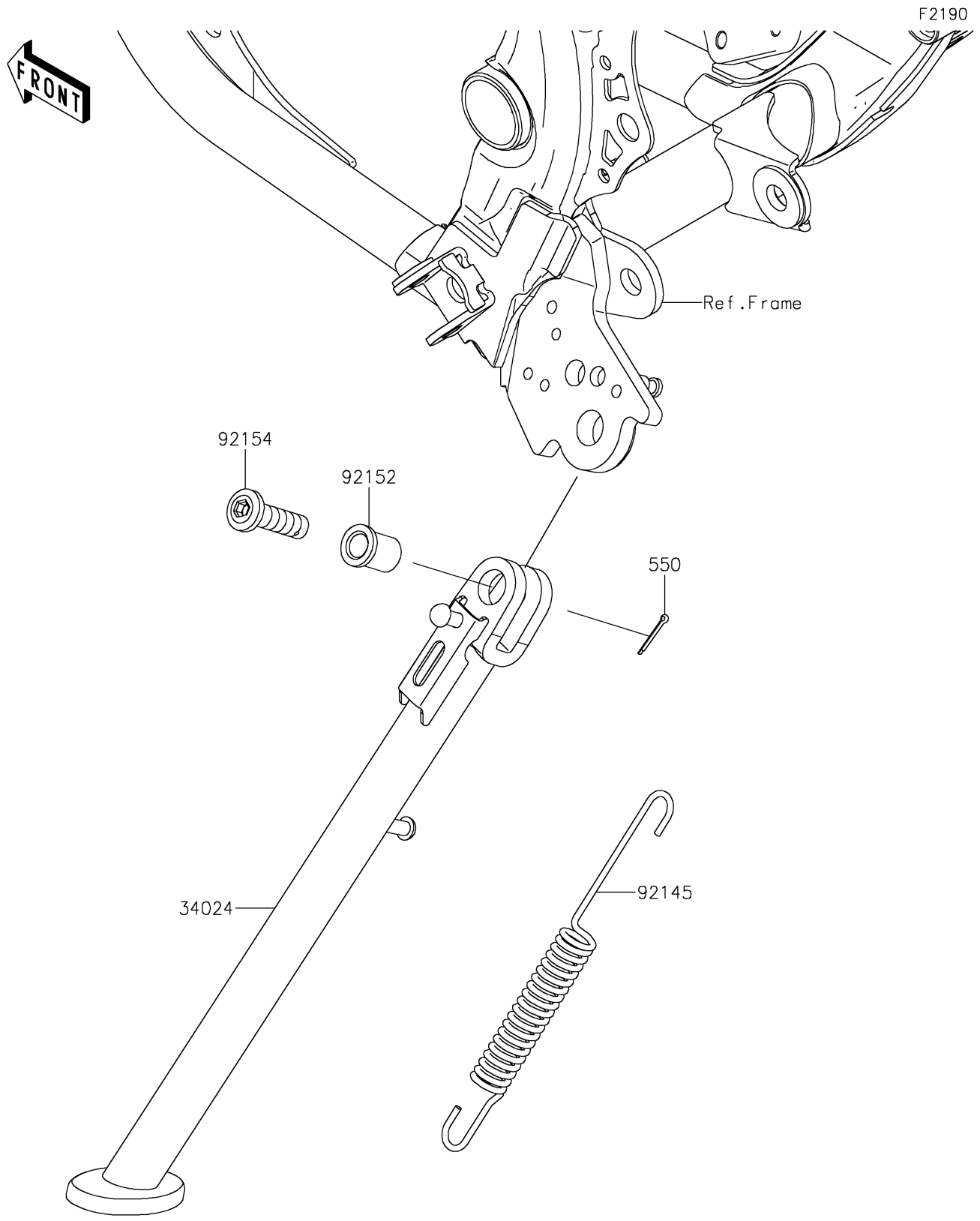


# 2022 KLX® 230 PARTS DIAGRAM

Stand(s)



# 2022 KLX® 230 PARTS LIST

Stand(s)

ITEM NAME	PART NUMBER	QUANTITY
-----------	-------------	----------