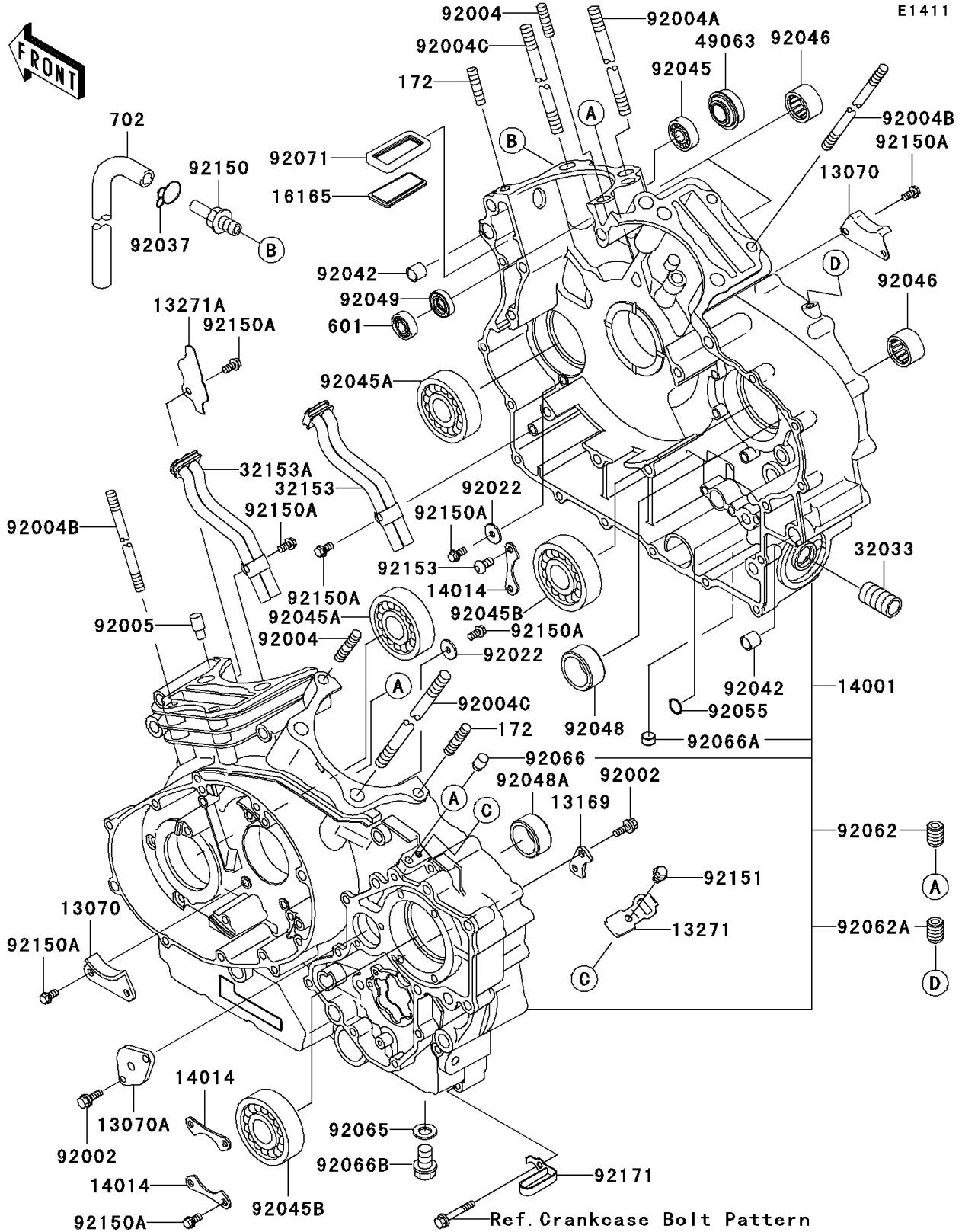


2007 Vulcan 1600 Classic PARTS DIAGRAM

Crankcase



2007 Vulcan 1600 Classic PARTS LIST

Crankcase

| ITEM NAME | PART NUMBER | QUANTITY |
|------------------------------------------|-------------|----------|
| GUIDE,CAM CHAIN (Ref # 13070) | 13070-1168 | 2 |
| GUIDE (Ref # 13070A) | 13070-1372 | 1 |
| PLATE,GEAR CHANGE DRUM (Ref # 13169) | 13169-014 | 1 |
| PLATE (Ref # 13271) | 13271-0210 | 1 |
| PLATE (Ref # 13271A) | 13271-1727 | 1 |
| SET-CRANKCASE (Ref # 14001) | 14001-5394 | 1 |
| PLATE-POSITION (Ref # 14014) | 14014-1084 | 3 |
| SEPARATOR (Ref # 16165) | 16165-1058 | 1 |
| PIPE,OIL FILTER (Ref # 32033) | 32033-1535 | 1 |
| PIPE,RH CRANKCASE (Ref # 32153) | 32153-1262 | 1 |
| PIPE,LH CRANKCASE (Ref # 32153A) | 32153-1263 | 1 |
| SEAL-MECHANICAL (Ref # 49063) | 49063-1057 | 1 |
| BOLT,6X16 (Ref # 92002) | 92002-1439 | 4 |
| STUD,8X25 (Ref # 92004) | 92004-0011 | 2 |
| STUD,12X250 (Ref # 92004A) | 92004-0017 | 1 |
| STUD,8X231 (Ref # 92004B) | 92004-1174 | 4 |
| STUD,12X250 (Ref # 92004C) | 92004-1225 | 7 |
| FITTING (Ref # 92005) | 92005-1155 | 1 |
| WASHER,6X19.5X2 (Ref # 92022) | 92022-1517 | 2 |
| CLAMP (Ref # 92037) | 92037-1835 | 1 |
| PIN,DOWEL,11X14X12.5 (Ref # 92042) | 92042-028 | 2 |
| BEARING-BALL,6001JRXLLU/5K (Ref # 92045) | 92045-1151 | 1 |
| BEARING-BALL,63/28 (Ref # 92045A) | 92045-1189 | 2 |
| BEARING-BALL,6306SH2 (Ref # 92045B) | 92045-1190 | 2 |
| BEARING-NEEDLE,HK1212V11 (Ref # 92046) | 92046-1292 | 3 |
| RACE (Ref # 92048) | 92048-1103 | 1 |
| RACE (Ref # 92048A) | 92048-1113 | 1 |
| SEAL-OIL,SC 12X22X5 (Ref # 92049) | 92049-1228 | 1 |
| RING-O,13.2X2.4 (Ref # 92055) | 92055-1373 | 1 |

2007 Vulcan 1600 Classic PARTS LIST

Crankcase

| ITEM NAME | PART NUMBER | QUANTITY |
|-------------------------------------|-------------|----------|
| NOZZLE,6X8,GREEN (Ref # 92062) | 92062-1078 | 3 |
| NOZZLE (Ref # 92062A) | 92062-1089 | 1 |
| GASKET,12X22X2 (Ref # 92065) | 92065-097 | 1 |
| PLUG,OIL LINE,7.2X8 (Ref # 92066) | 92066-1012 | 1 |
| PLUG (Ref # 92066A) | 92066-1110 | 1 |
| PLUG,OIL DRAIN,12X15 (Ref # 92066B) | 92066-1174 | 1 |
| GROMMET,SEPARATOR (Ref # 92071) | 92071-1269 | 1 |
| BOLT (Ref # 92150) | 92150-1161 | 1 |
| BOLT,6X12 (Ref # 92150A) | 92150-1868 | 13 |
| BOLT,6X8 (Ref # 92151) | 92151-1416 | 1 |
| BOLT,6X12 (Ref # 92153) | 92153-0344 | 2 |
| BOLT-STUD,8X25 (Ref # 172) | 172G0825 | 2 |
| BEARING-BALL (Ref # 601) | 601A6001 | 1 |
| TUBE-RUBBER,4X330 (Ref # 702) | 702A04330 | 1 |
| CLAMP (Ref # 92171) | 92171-1273 | 1 |