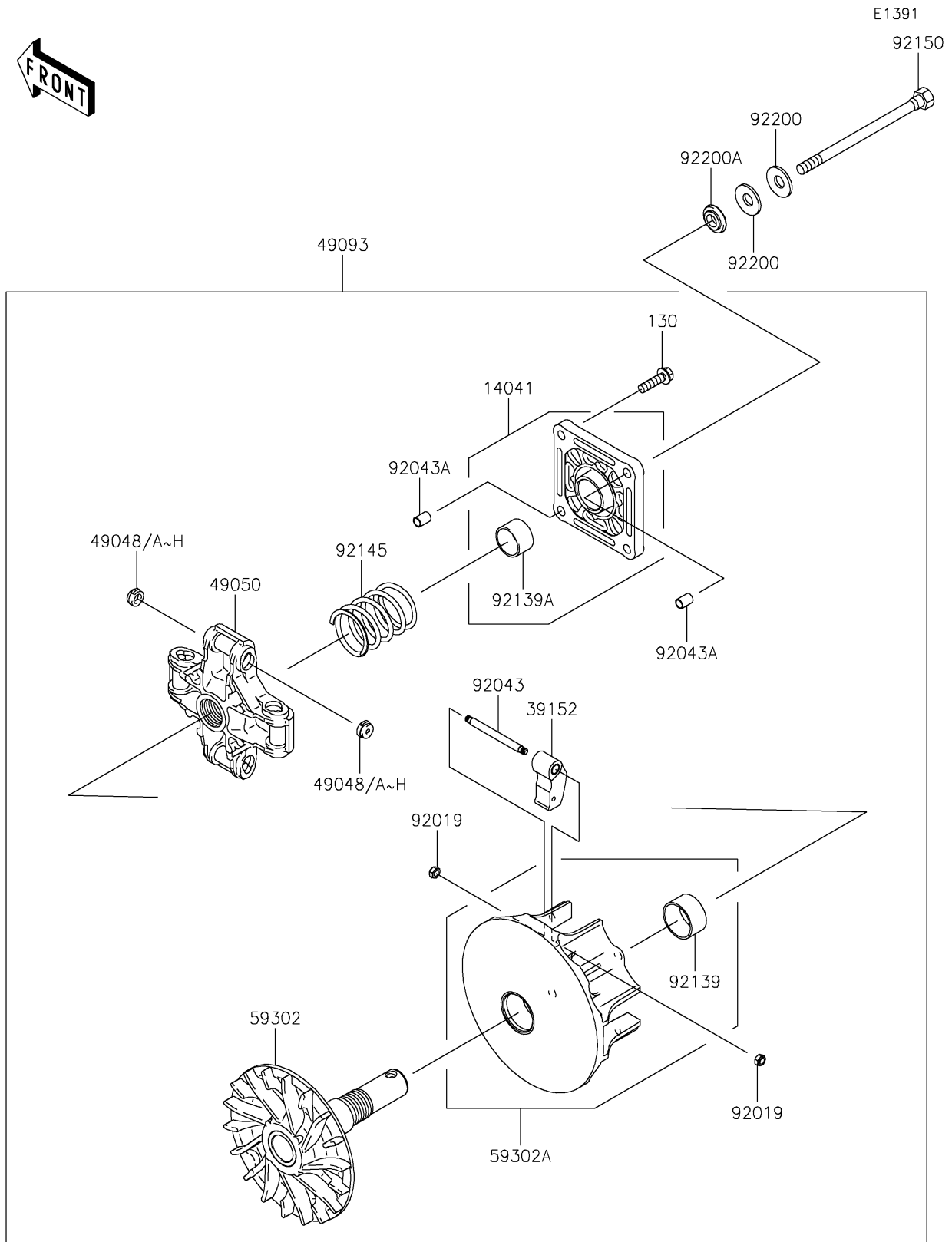


# 2017 MULE SX™ 4x4 PARTS DIAGRAM

Drive Converter



# 2017 MULE SX™ 4x4 PARTS LIST

Drive Converter

ITEM NAME	PART NUMBER	QUANTITY
-----------	-------------	----------