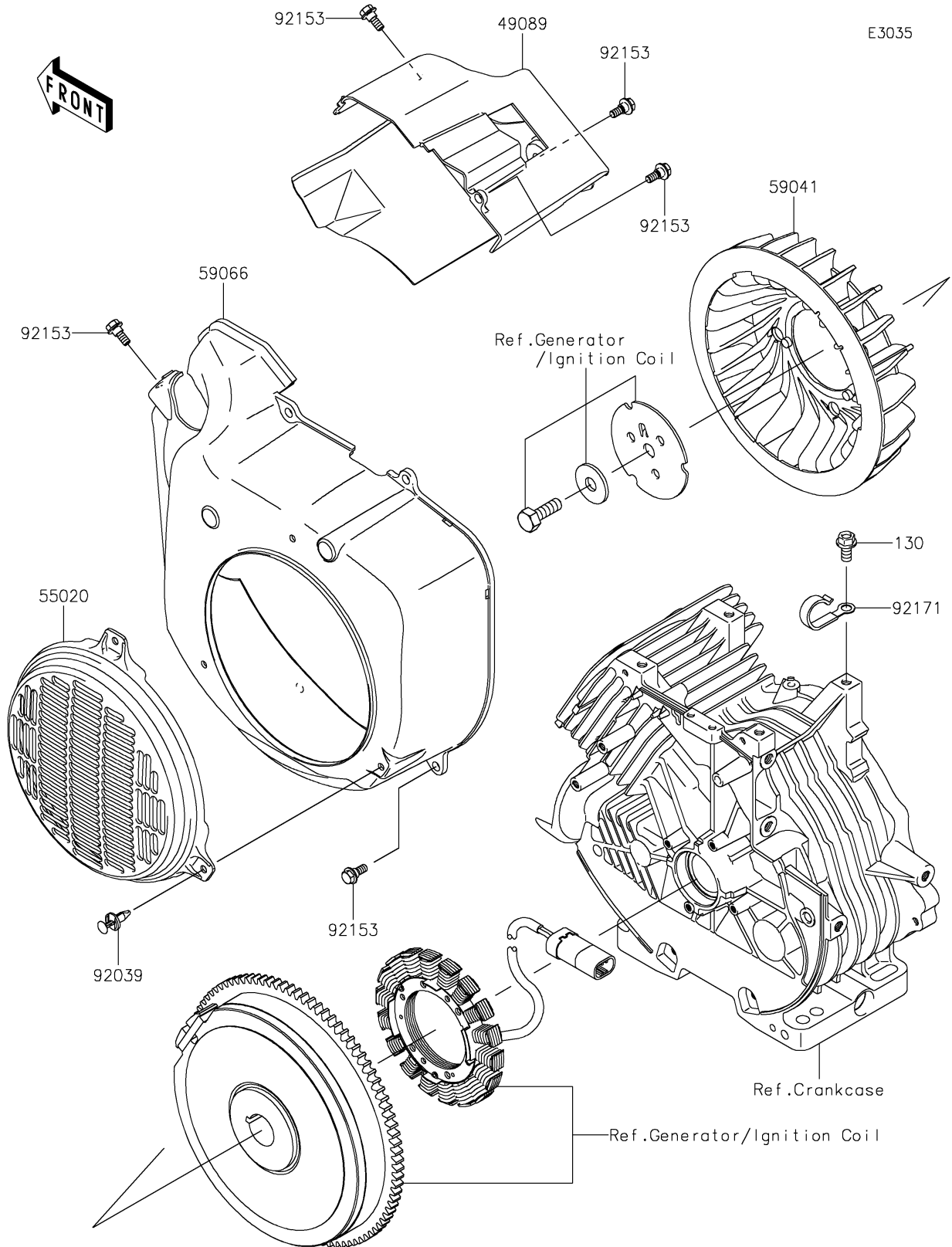


# 2017 MULE SX™ 4x4 PARTS DIAGRAM

## Cooling



# 2017 MULE SX™ 4x4 PARTS LIST

Cooling

ITEM NAME	PART NUMBER	QUANTITY
-----------	-------------	----------