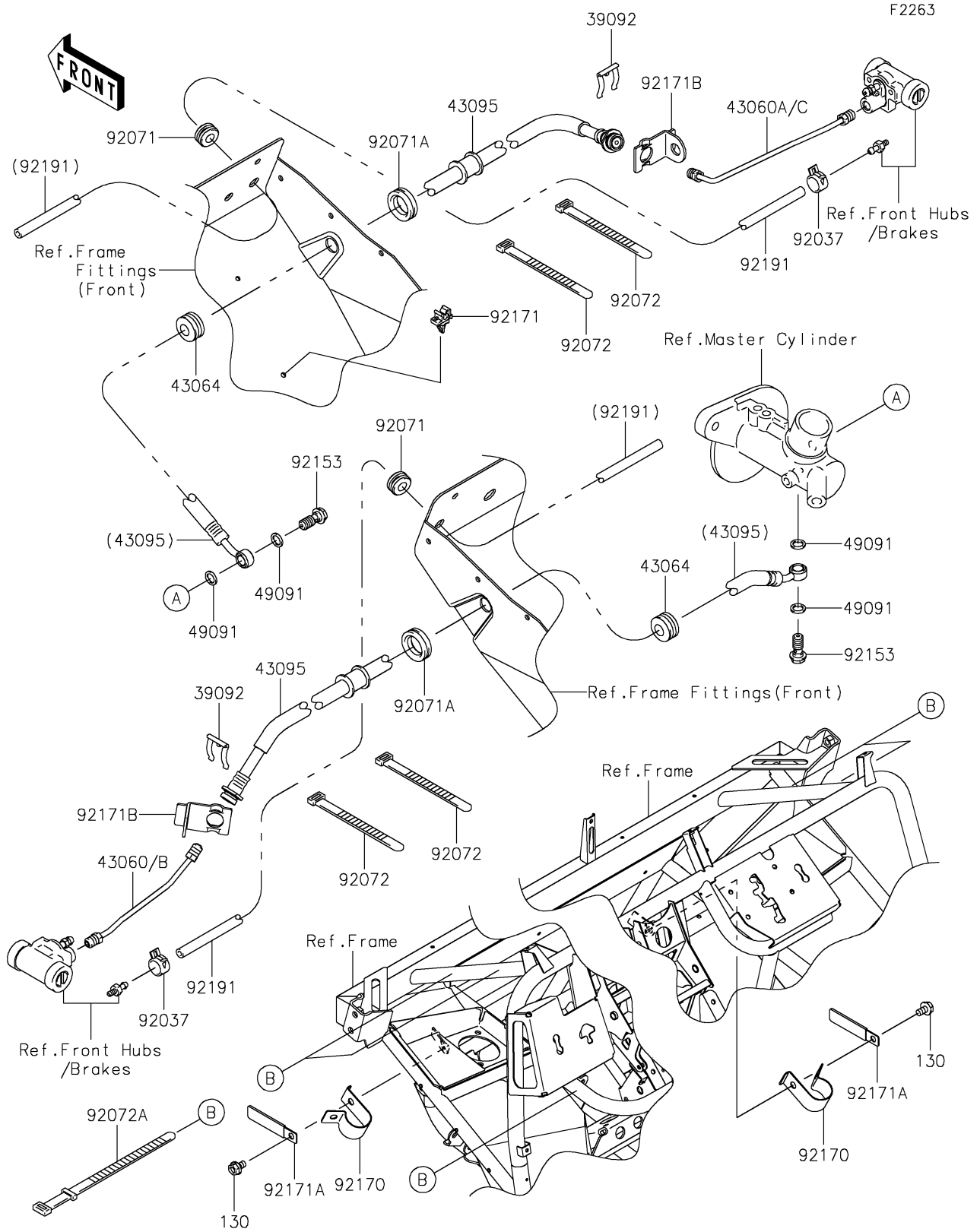


2019 MULE SX™ 4x4 PARTS DIAGRAM

Front Brake Piping



2019 MULE SX™ 4x4 PARTS LIST

Front Brake Piping

| ITEM NAME | PART NUMBER | QUANTITY |
|---|-------------|----------|
| PIN-HAIR (Ref # 39092) | 39092-1052 | 2 |
| PIPE-BRAKE,FR,LH (Ref # 43060B) | 43060-0335 | 1 |
| PIPE-BRAKE,FR,RH (Ref # 43060C) | 43060-0336 | 1 |
| GROMMET,HOSE CLAMP (Ref # 43064) | 43064-007 | 2 |
| HOSE-BRAKE,FR (Ref # 43095) | 43095-0055 | 2 |
| WASHER-SEAL,10.1X14.5X1.5 (Ref # 49091) | 49091-0001 | 4 |
| CLAMP (Ref # 92037) | 92037-1601 | 2 |
| GROMMET (Ref # 92071) | 92071-1010 | 2 |
| GROMMET (Ref # 92071A) | 92071-3704 | 2 |
| BAND,L=123 (Ref # 92072) | 92072-030 | 4 |
| BAND,L=186 (Ref # 92072A) | 92072-056 | 5 |
| BOLT,OIL,L=23 (Ref # 92153) | 92153-1419 | 2 |
| CLAMP,HOSE (Ref # 92170) | 92170-1173 | 2 |
| CLAMP (Ref # 92171) | 92171-0339 | 1 |
| CLAMP,L=60 (Ref # 92171A) | 92171-0652 | 2 |
| CLAMP (Ref # 92171B) | 92171-1654 | 2 |
| TUBE,4.7X9.5X1480 (Ref # 92191) | 92191-1615 | 2 |
| BOLT-FLANGED,6X10 (Ref # 130) | 130AA0610 | 2 |