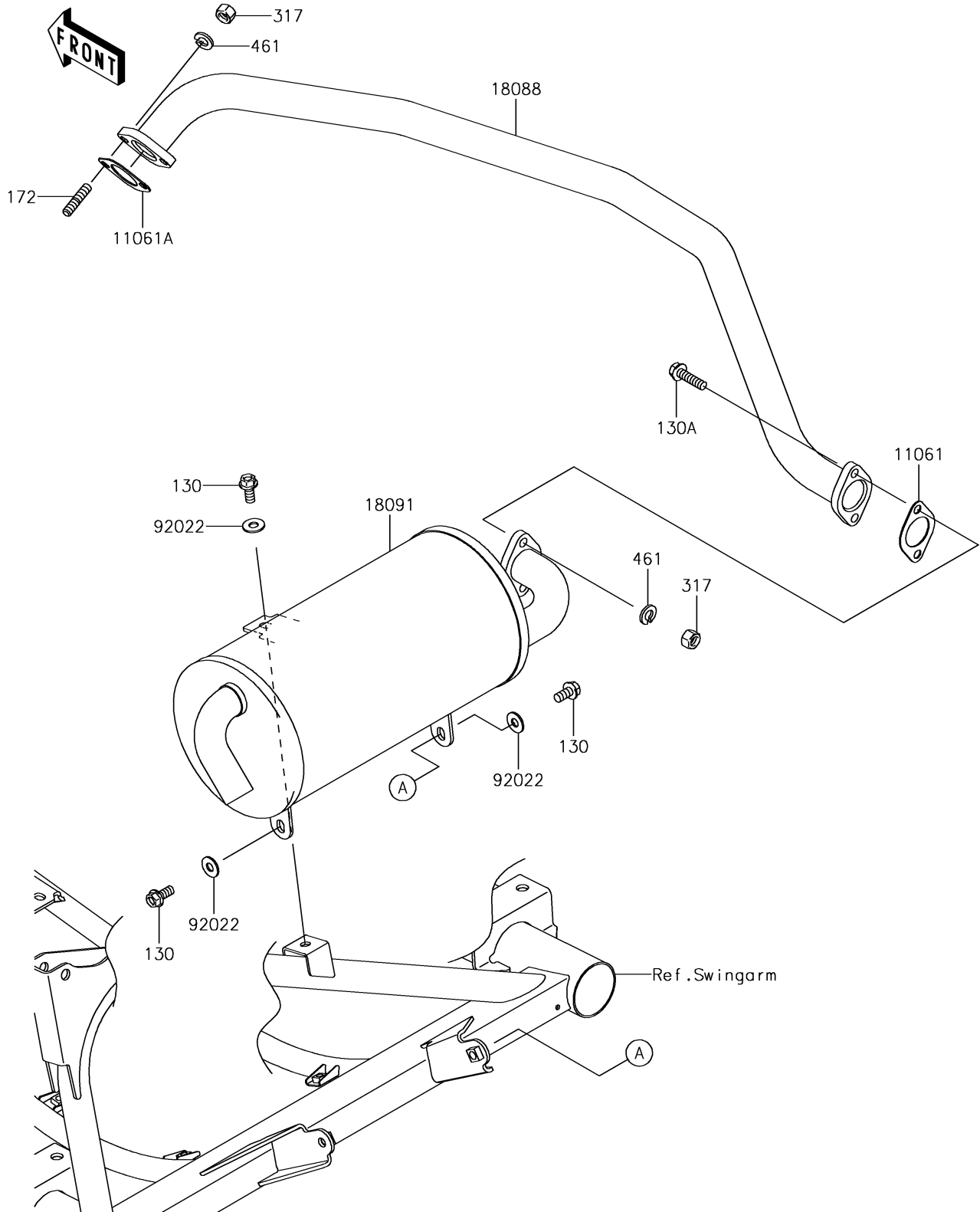


# 2019 MULE SX™ PARTS DIAGRAM

Muffler(s)

E1140



## 2019 MULE SX™ PARTS LIST

Muffler(s)

ITEM NAME	PART NUMBER	QUANTITY
GASKET (Ref # 11061)	11061-0132	1
GASKET (Ref # 11061A)	11061-0133	1
PIPE-EXHAUST (Ref # 18088)	18088-0192	1
BODY-COMP-MUFFLER (Ref # 18091)	18091-0487	1
WASHER,8.5X20X1.6 (Ref # 92022)	92022-1561	3
BOLT-FLANGED,8X16 (Ref # 130)	130CA0816	3
BOLT-FLANGED,8X30 (Ref # 130A)	130CA0830	2
BOLT-STUD,8X22 (Ref # 172)	172BA0822	2
NUT-HEX-SMALL,8MM (Ref # 317)	317R0800	4
WASHER-SPRING,8MM (Ref # 461)	461DA0800	4