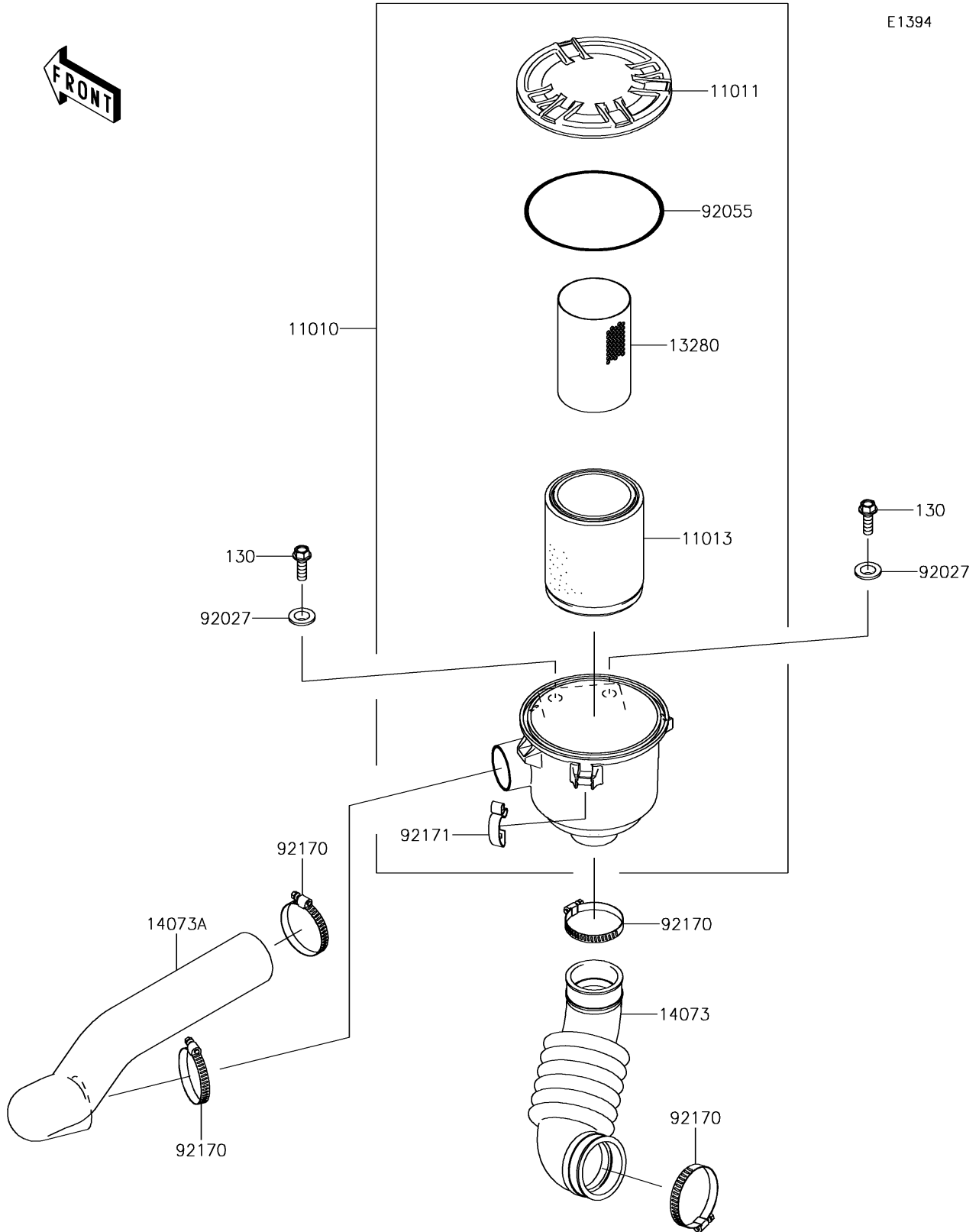


2019 MULE SX™ PARTS DIAGRAM

Air Cleaner-Belt Converter



E1394



2019 MULE SX™ PARTS LIST

Air Cleaner-Belt Converter

| ITEM NAME | PART NUMBER | QUANTITY |
|------------------------------------|-------------|----------|
| FILTER-ASSY-AIR (Ref # 11010) | 11010-0172 | 1 |
| CASE-AIR FILTER,CAP (Ref # 11011) | 11011-0135 | 1 |
| ELEMENT-AIR FILTER (Ref # 11013) | 11013-0037 | 1 |
| HOLDER (Ref # 13280) | 13280-0312 | 1 |
| DUCT,AIR FILTER-CASE (Ref # 14073) | 14073-0061 | 1 |
| DUCT,BAR-AIR FILTER (Ref # 14073A) | 14073-0080 | 1 |
| COLLAR (Ref # 92027) | 92027-1354 | 2 |
| RING-O,122X4 (Ref # 92055) | 92055-0167 | 1 |
| CLAMP (Ref # 92170) | 92170-1674 | 4 |
| CLAMP (Ref # 92171) | 92171-0225 | 3 |
| BOLT-FLANGED,8X25 (Ref # 130) | 130BA0825 | 2 |