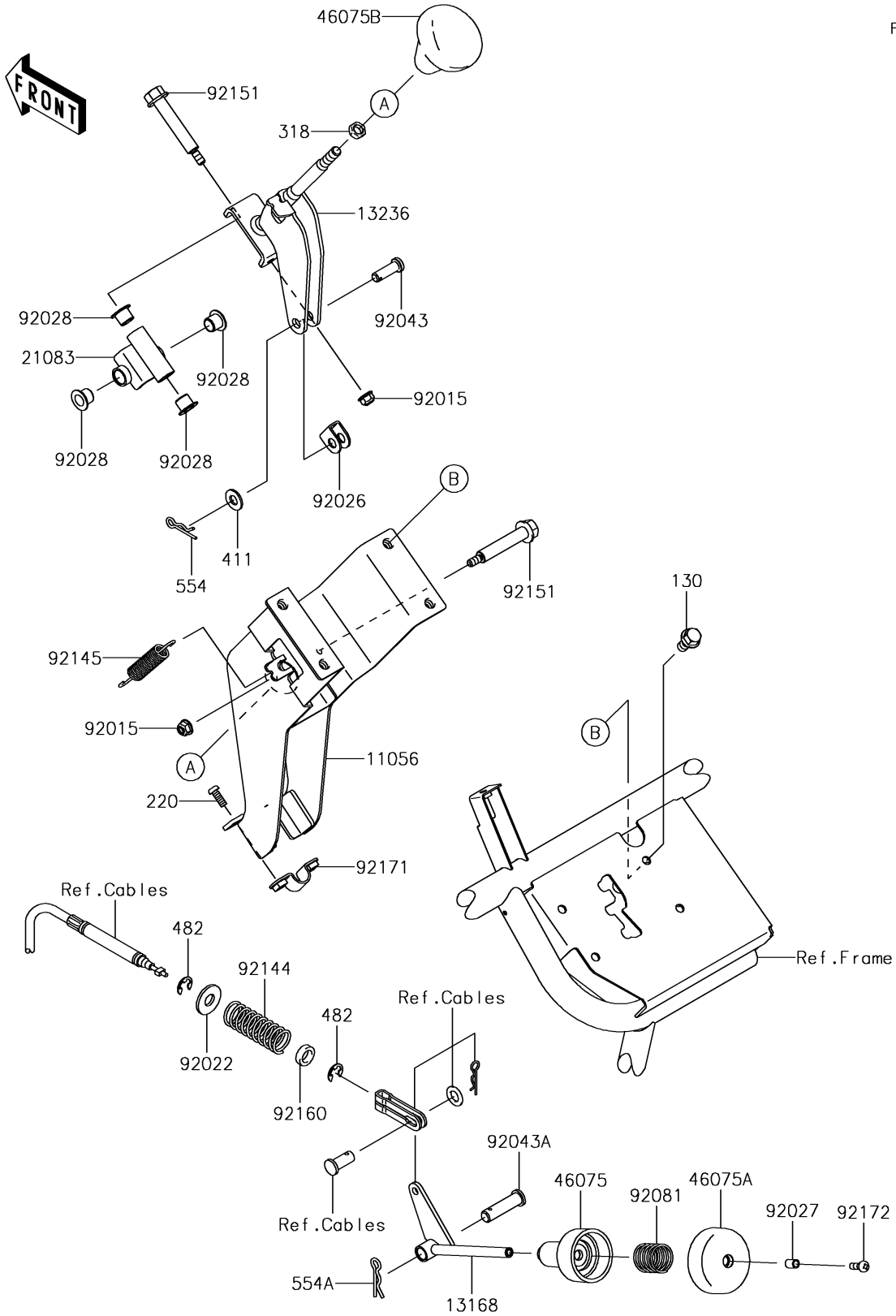


2019 MULE SX™ PARTS DIAGRAM

Shift Lever(s)

F2134



2019 MULE SX™ PARTS LIST

Shift Lever(s)

ITEM NAME	PART NUMBER	QUANTITY
-----------	-------------	----------