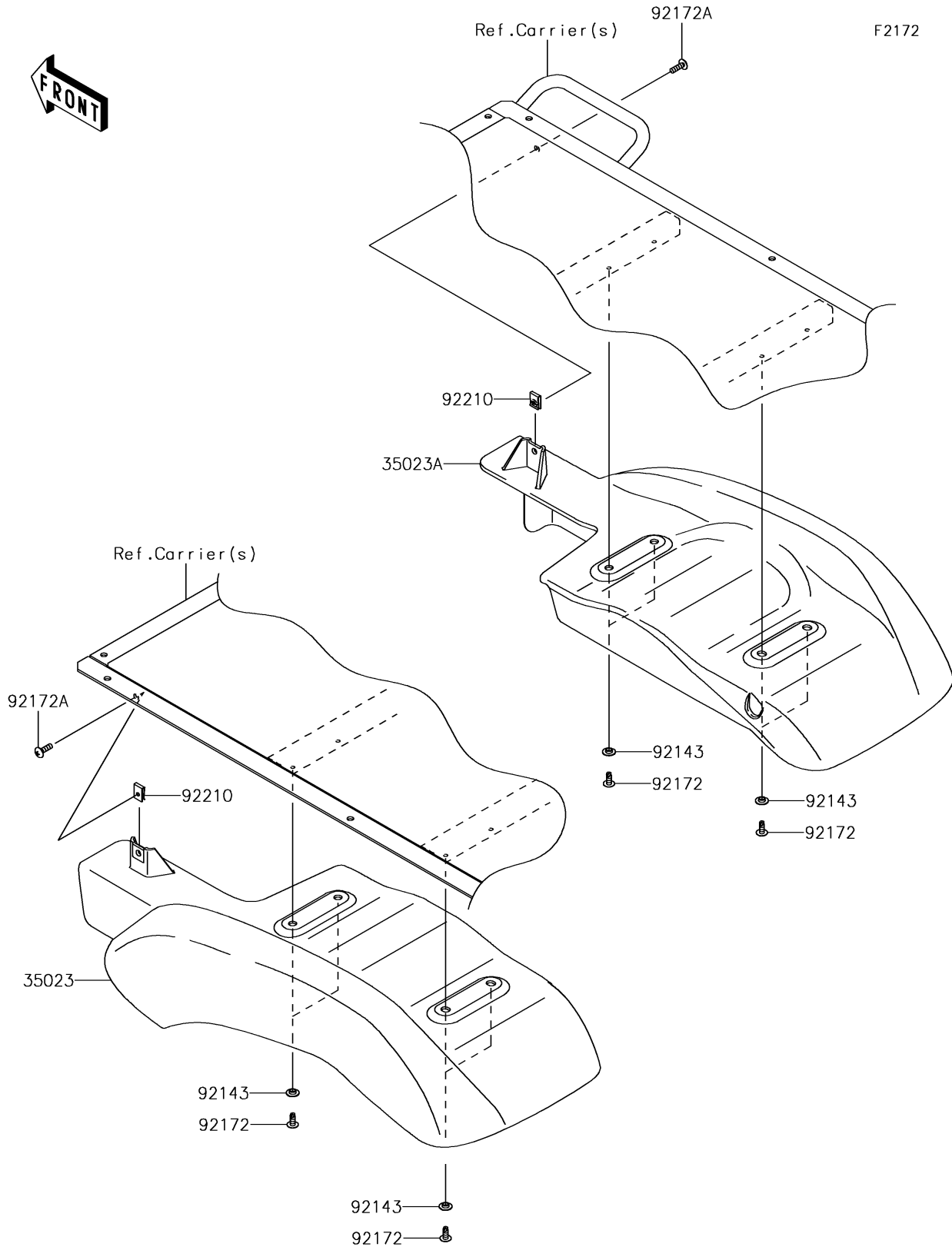


# 2019 MULE SX™ PARTS DIAGRAM

Rear Fender(s)



# 2019 MULE SX™ PARTS LIST

Rear Fender(s)

| ITEM NAME | PART NUMBER | QUANTITY |
|-----------|-------------|----------|
|-----------|-------------|----------|