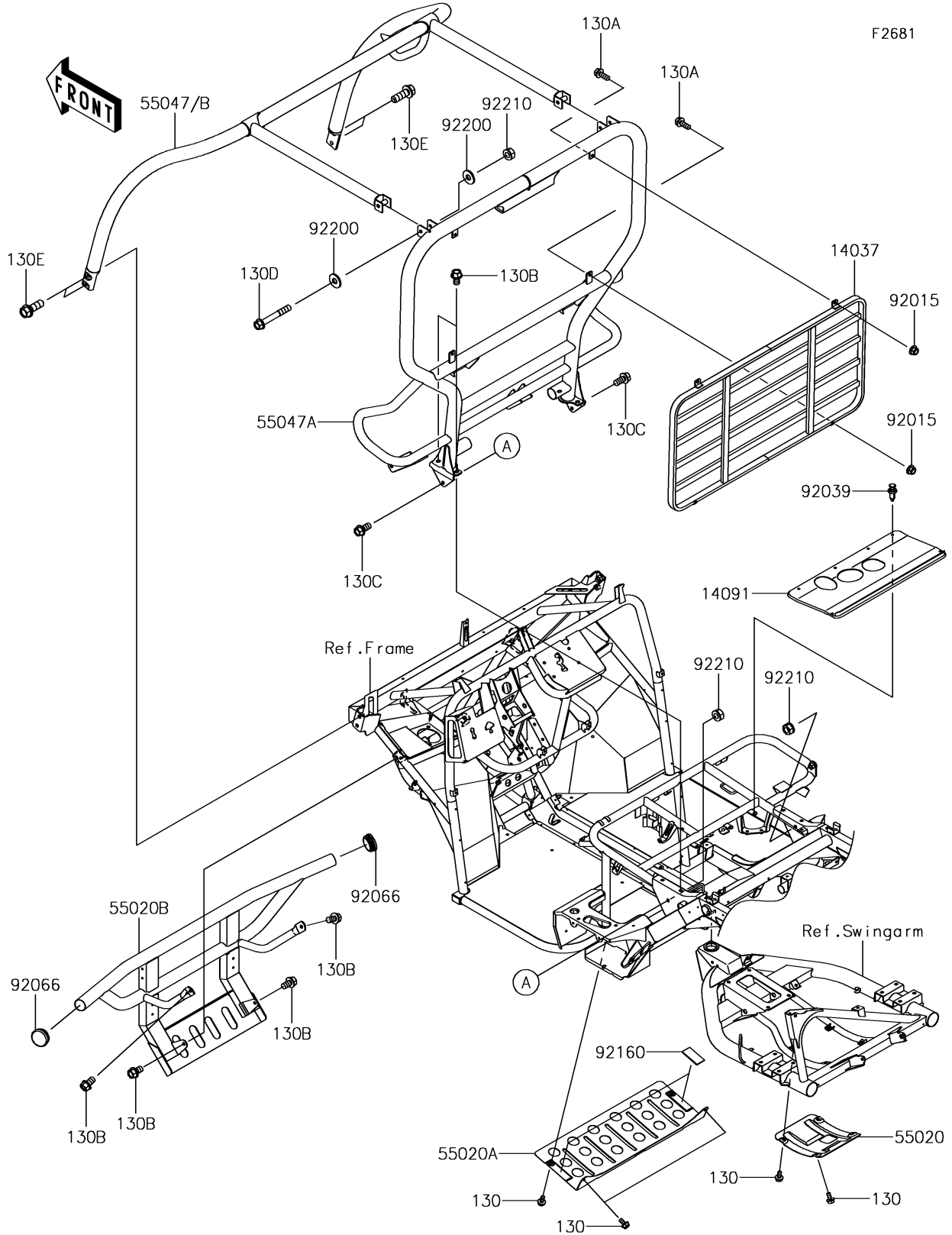


2017 Mule SX PARTS DIAGRAM

Guards/Cab Frame



2017 Mule SX PARTS LIST

Guards/Cab Frame

| ITEM NAME | PART NUMBER | QUANTITY |
|------------------------------------|----------------|----------|
| SCREEN,T.BLACK (Ref # 14037) | 14037-0774-388 | 1 |
| COVER (Ref # 14091) | 14091-0355 | 1 |
| GUARD,DIFF (Ref # 55020) | 55020-0141 | 1 |
| GUARD (Ref # 55020A) | 55020-0883 | 1 |
| GUARD,FR,T.BLACK (Ref # 55020B) | 55020-1933-388 | 1 |
| BAR-COMP,FR,T.BLACK (Ref # 55047) | 55047-0355-388 | 1 |
| BAR-COMP,RR,T.BLACK (Ref # 55047A) | 55047-0356-388 | 1 |
| NUT,FLANGED,LOCK,8MM (Ref # 92015) | 92015-1668 | 4 |
| RIVET (Ref # 92039) | 92039-0776 | 6 |
| PLUG,42MM (Ref # 92066) | 92066-0830 | 2 |
| DAMPER (Ref # 92160) | 92160-1102 | 2 |
| WASHER,11X26X2.6 (Ref # 92200) | 92200-0352 | 4 |
| NUT,LOCK,10MM (Ref # 92210) | 92210-1204 | 4 |
| BOLT-FLANGED,6X12 (Ref # 130) | 130BA0612 | 8 |
| BOLT-FLANGED,8X20 (Ref # 130A) | 130BA0820 | 4 |
| BOLT-FLANGED,10X16 (Ref # 130B) | 130BA1016 | 8 |
| BOLT-FLANGED,10X20 (Ref # 130C) | 130BA1020 | 2 |
| BOLT-FLANGED,10X70 (Ref # 130D) | 130BA1070 | 2 |
| BOLT-FLANGED,12X35 (Ref # 130E) | 130BA1235 | 4 |