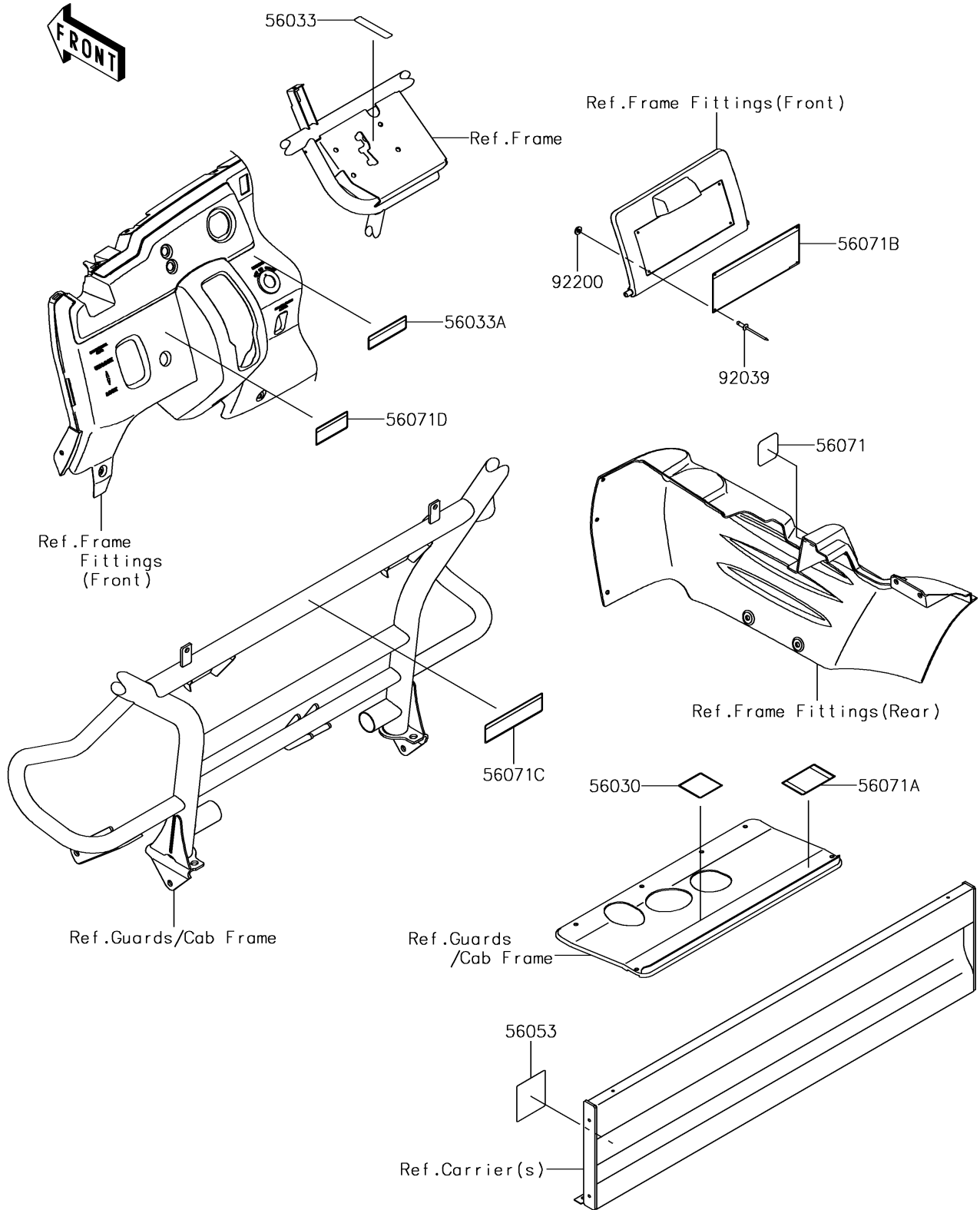


2018 MULE SX™ PARTS DIAGRAM

Labels

F2860



2018 MULE SX™ PARTS LIST

Labels

| ITEM NAME | PART NUMBER | QUANTITY |
|---------------------------------------------|-------------|----------|
| LABEL,OIL GAUGE (Ref # 56030) | 56030-0984 | 1 |
| LABEL-MANUAL,SHIFT (Ref # 56033) | 56033-0062 | 1 |
| LABEL-MANUAL,SHIFT NOTICE (Ref # 56033A) | 56033-0822 | 1 |
| LABEL-SPECIFICATION,TIRE&LOAD (Ref # 56053) | 56053-1170 | 1 |
| LABEL-WARNING,GASOLINE (Ref # 56071) | 56071-0588 | 1 |
| LABEL-WARNING,HOT SURFACE (Ref # 56071A) | 56071-0596 | 1 |
| LABEL-WARNING,GENERAL (Ref # 56071B) | 56071-0597 | 1 |
| LABEL-WARNING,CARGO BED (Ref # 56071C) | 56071-0599 | 1 |
| LABEL-WARNING,CARGO BED (Ref # 56071D) | 56071-0638 | 1 |
| RIVET,3.2X8 (Ref # 92039) | 92039-3763 | 4 |
| WASHER,3.5X8X1 (Ref # 92200) | 92200-1251 | 4 |