

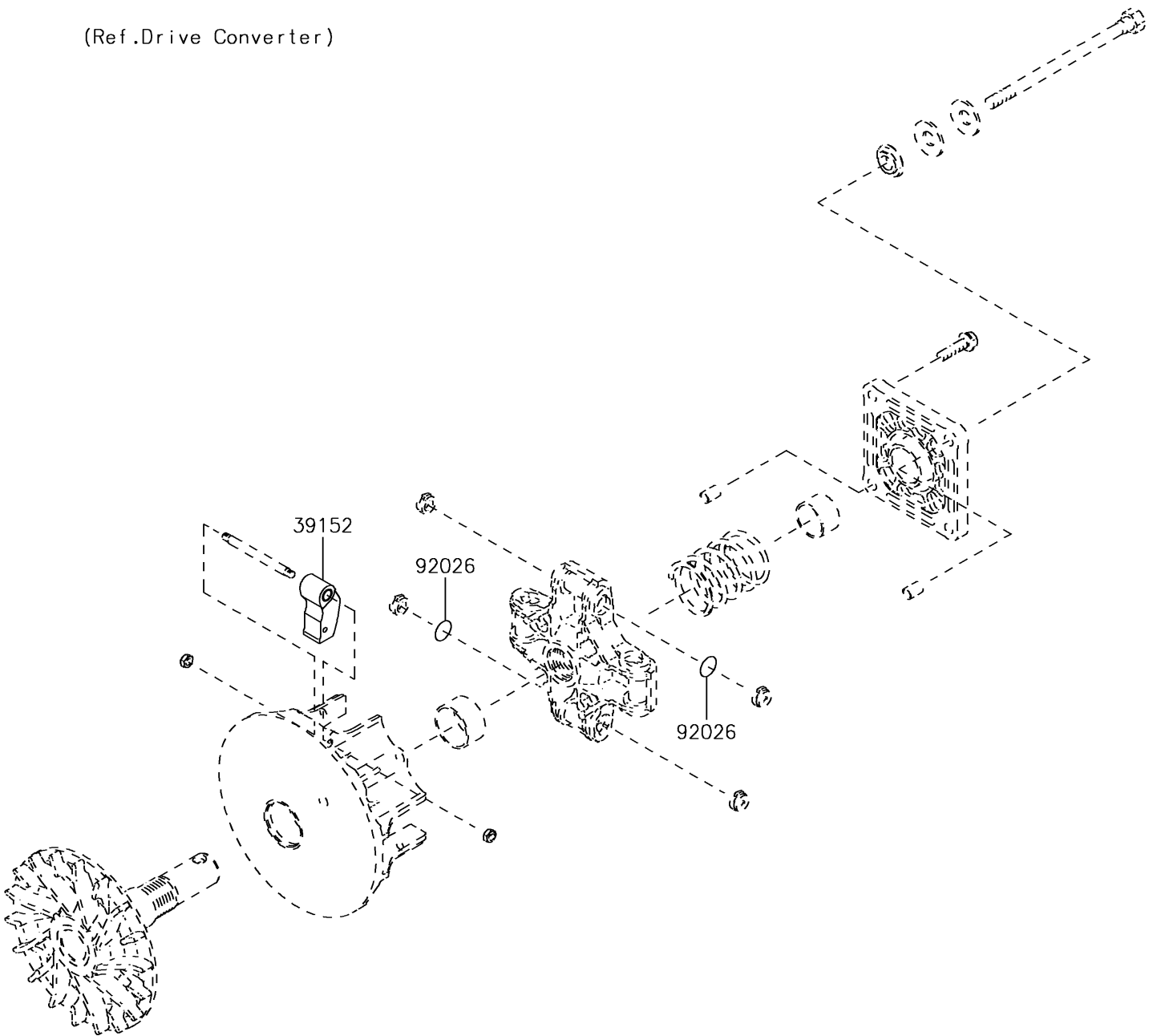
2019 MULE SX™ PARTS DIAGRAM

Optional Parts(Engine)

F2890



(Ref. Drive Converter)



2019 MULE SX™ PARTS LIST

Optional Parts(Engine)

| ITEM NAME | PART NUMBER | QUANTITY |
|--------------------------------|-------------|----------|
| WEIGHT-RAMP,C155 (Ref # 39152) | 39152-0014 | 4 |
| SPACER,T=0.1 (Ref # 92026) | 92026-0038 | 2 |