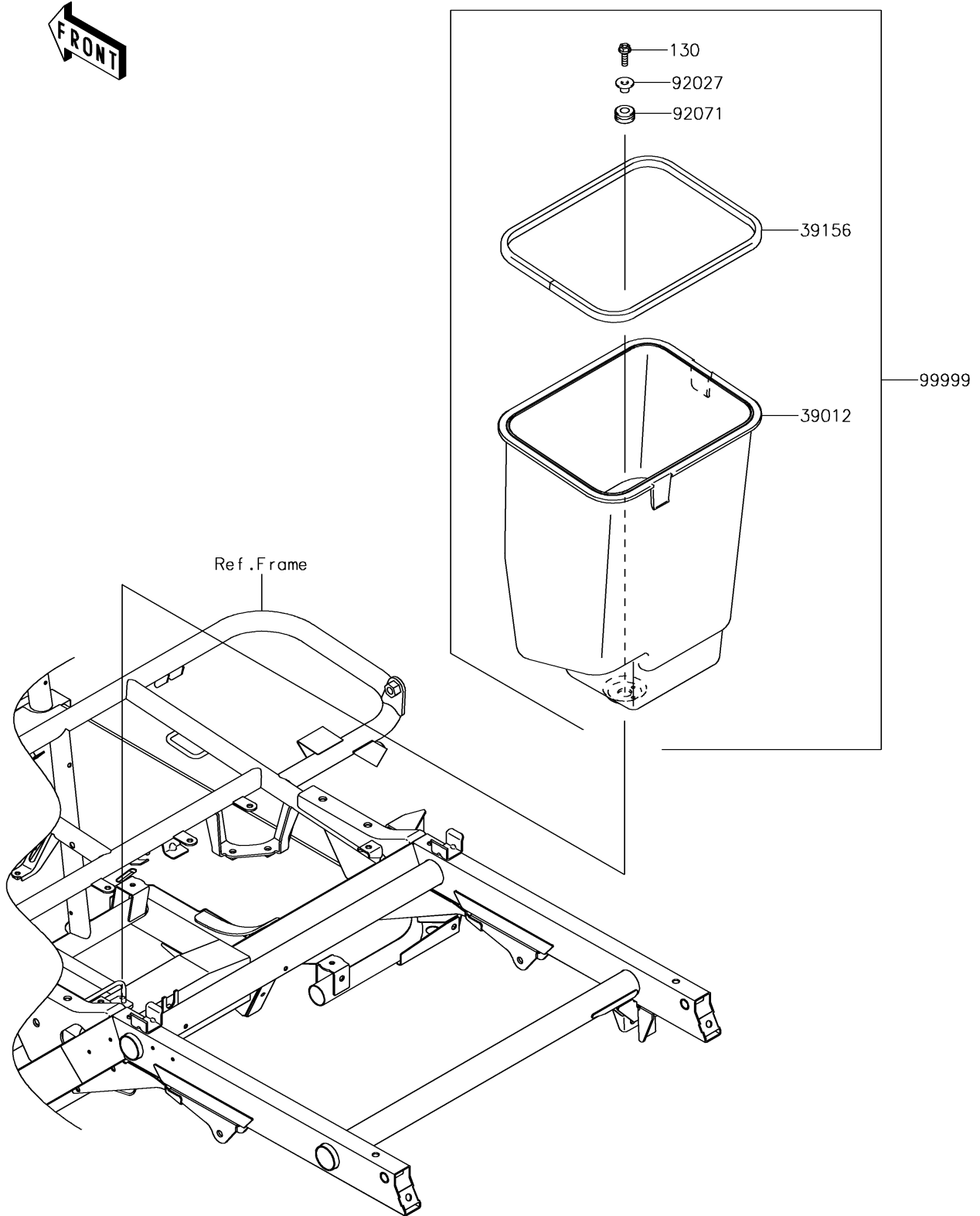


2019 MULE SX™ PARTS DIAGRAM

Optional Parts(Frame)

F2890A



2019 MULE SX™ PARTS LIST

Optional Parts(Frame)

ITEM NAME	PART NUMBER	QUANTITY
-----------	-------------	----------