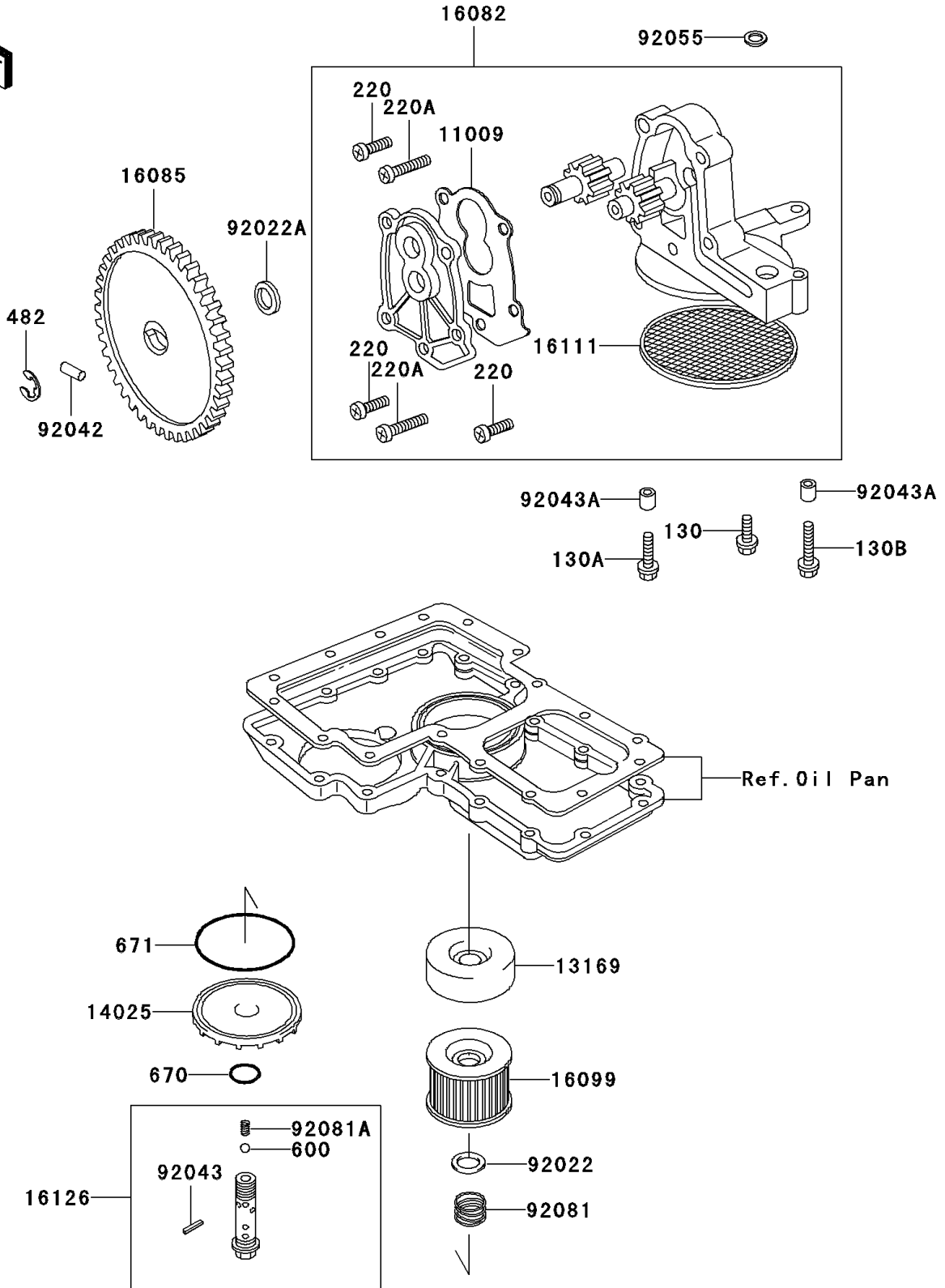


# 2005 Police 1000 PARTS DIAGRAM

Oil Pump/Oil Filter

E1710



## 2005 Police 1000 PARTS LIST

### Oil Pump/Oil Filter

| ITEM NAME                              | PART NUMBER | QUANTITY |
|--|-------------|----------|
| BOLT-FLANGED,6X25 (Ref # 130)          | 130G0625    | 1        |
| BOLT-FLANGED,6X35 (Ref # 130A)         | 130G0635    | 1        |
| BOLT-FLANGED,6X45 (Ref # 130B)         | 130G0645    | 1        |
| SCREW-PAN-CROS,6X18 (Ref # 220)        | 220B0618    | 3        |
| SCREW-PAN-CROS,6X28 (Ref # 220A)       | 220B0628    | 2        |
| CIRCLIP-TYPE-E,7MM (Ref # 482)         | 482J7000    | 1        |
| BALL-STEEL,3/8" (Ref # 600)            | 600A1200    | 1        |
| O RING,16MM (Ref # 670)                | 670B2016    | 1        |
| O RING,90MM (Ref # 671)                | 671B2590    | 1        |
| GASKET,OIL PUMP (Ref # 11009)          | 11009-1029  | 1        |
| PLATE,OIL FILTER (Ref # 13169)         | 13169-1313  | 1        |
| COVER,OIL FILTER,F.BLACK (Ref # 14025) | 14025-1422  | 1        |
| PUMP-ASSY-OIL (Ref # 16082)            | 16082-1032  | 1        |
| GEAR,OIL PUMP,49T (Ref # 16085)        | 16085-1038  | 1        |
| ELEMENT-OIL FILTER (Ref # 16099)       | 16099-003   | 1        |
| FILTER,OIL PUMP (Ref # 16111)          | 16111-004   | 1        |
| VALVE,OIL FILTER (Ref # 16126)         | 16126-1108  | 1        |
| WASHER,20.5X30X1 (Ref # 92022)         | 92022-1012  | 1        |
| WASHER,10.2X18X1.0,SK5 (Ref # 92022A)  | 92022-1415  | 1        |
| PIN,DOWEL,4X14.8 (Ref # 92042)         | 92042-042   | 1        |
| PIN,SPRING,2X20 (Ref # 92043)          | 92043-111   | 1        |
| PIN,DOWEL,8X10 (Ref # 92043A)          | 92043-1302  | 2        |
| RING-O,OD=18 (Ref # 92055)             | 92055-048   | 1        |
| SPRING,OIL FILTER (Ref # 92081)        | 92081-1018  | 1        |
| SPRING (Ref # 92081A)                  | 92081-109   | 1        |