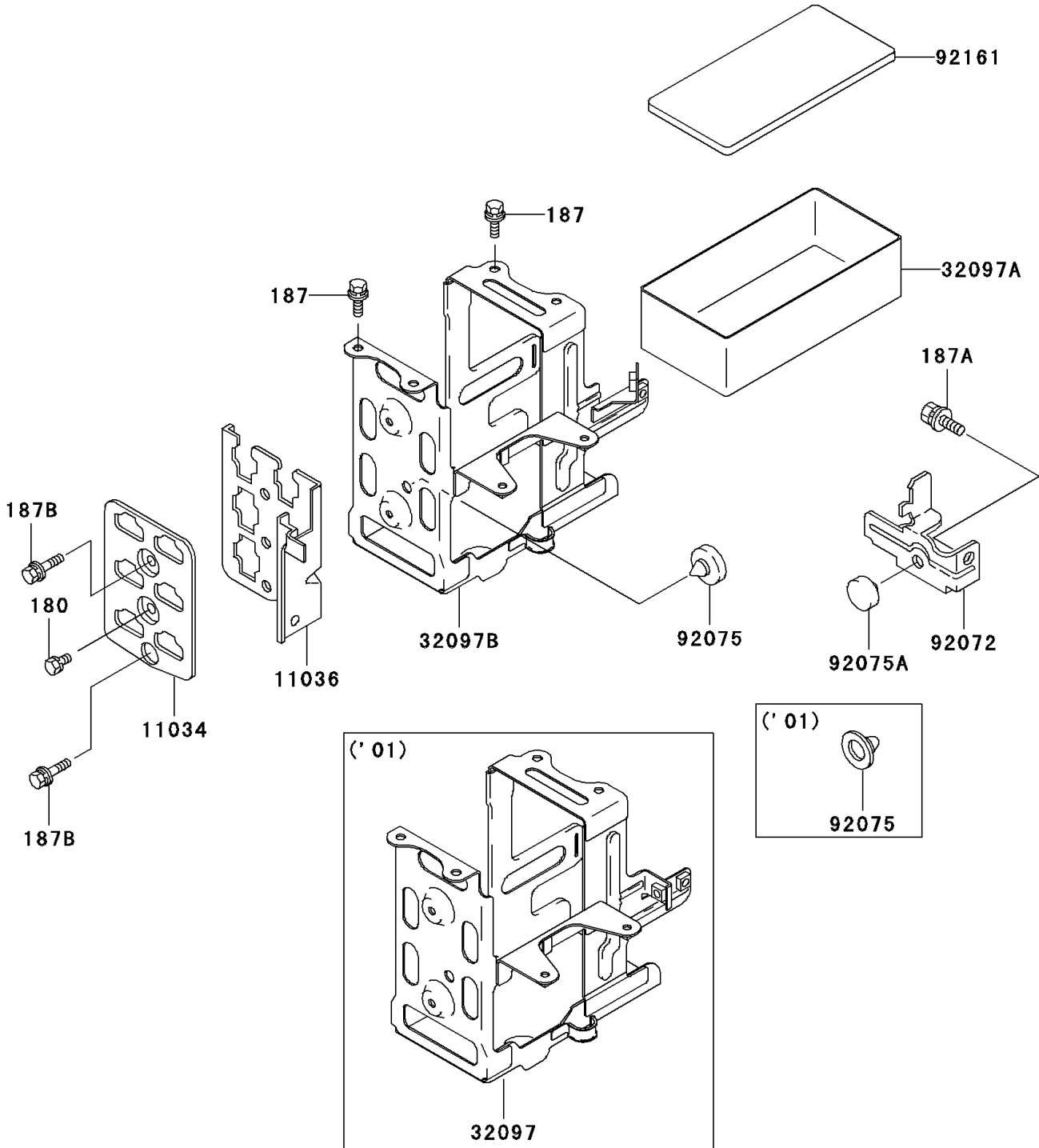


# 2003 Police 1000 PARTS DIAGRAM

Frame Fittings

F2131



## 2003 Police 1000 PARTS LIST

### Frame Fittings

| ITEM NAME                          | PART NUMBER | QUANTITY |
|------------------------------------|-------------|----------|
| BOLT-UPSET-WS (Ref # 180)          | 180B0610    | 1        |
| BOLT-UPSET-WSP (Ref # 187)         | 187B0614    | 4        |
| BOLT-UPSET-WSP (Ref # 187A)        | 187B0616    | 1        |
| BOLT-UPSET-WSP (Ref # 187B)        | 187B0622    | 2        |
| BRACKET,COUPLER (Ref # 11034)      | 11034-1918  | 1        |
| BRACKET-A,COUPLER (Ref # 11036)    | 11036-1783  | 1        |
| CASE-BATTERY,BOTTOM (Ref # 32097A) | 32097-1034  | 1        |
| CASE-BATTERY (Ref # 32097B)        | 32097-1191  | 1        |
| BAND,BATTERY CASE (Ref # 92072)    | 92072-1213  | 1        |
| DAMPER,RUBBER (Ref # 92075)        | 92075-078   | 1        |
| DAMPER (Ref # 92075A)              | 92075-281   | 1        |
| DAMPER (Ref # 92161)               | 92161-1207  | 1        |