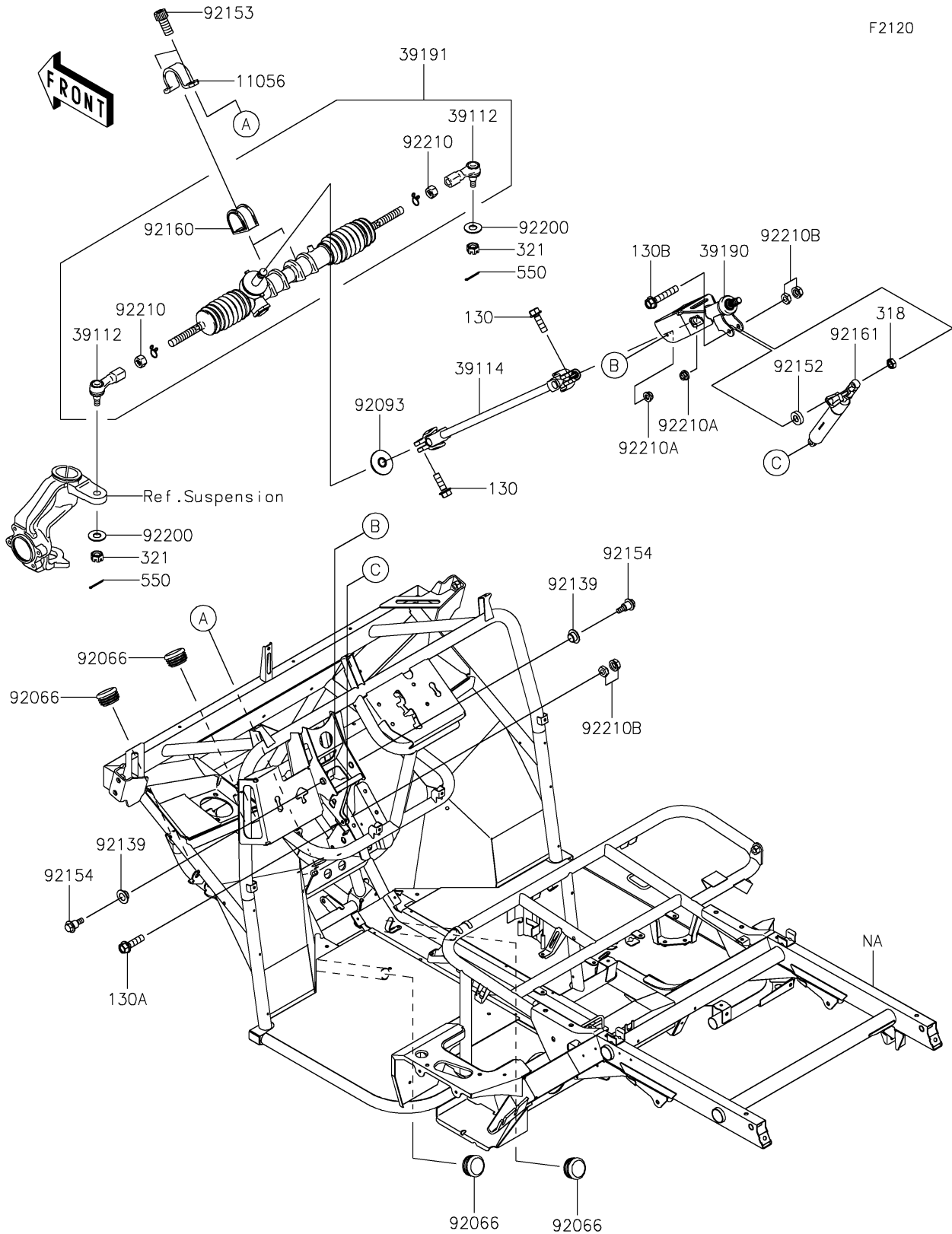


2017 MULE SX™ 4x4 XC SE PARTS DIAGRAM

Frame



2017 MULE SX™ 4x4 XC SE PARTS LIST

Frame

| ITEM NAME | PART NUMBER | QUANTITY |
|----------------------------------------|-------------|----------|
| BRACKET,STEERING GEAR (Ref # 11056) | 11056-2238 | 2 |
| RODEND-TIE,STEERING GEAR (Ref # 39112) | 39112-0008 | 2 |
| SHAFT-COMP-STRG (Ref # 39114) | 39114-0022 | 1 |
| SHAFT-ASSY-STEERING (Ref # 39190) | 39190-0006 | 1 |
| GEAR-ASSY-STEERING (Ref # 39191) | 39191-0023 | 1 |
| PLUG (Ref # 92066) | 92066-0036 | 4 |
| SEAL (Ref # 92093) | 92093-1313 | 1 |
| BUSHING (Ref # 92139) | 92139-0230 | 2 |
| COLLAR,8.2X18X5 (Ref # 92152) | 92152-1848 | 1 |
| BOLT,SOCKET,10X23 (Ref # 92153) | 92153-1269 | 4 |
| BOLT,6X21.5 (Ref # 92154) | 92154-1320 | 2 |
| DAMPER,STEERING GEAR (Ref # 92160) | 92160-1084 | 2 |
| DAMPER,GAS SPRING (Ref # 92161) | 92161-1825 | 1 |
| WASHER,10.3X23X1.6 (Ref # 92200) | 92200-2009 | 2 |
| NUT,14MM (Ref # 92210) | 92210-0217 | 2 |
| NUT,LOCK,FLANGED,6MM (Ref # 92210A) | 92210-0303 | 2 |
| NUT,HARD LOCK,8MM (Ref # 92210B) | 92210-0934 | 2 |
| BOLT-FLANGED,8X25 (Ref # 130) | 130BA0825 | 2 |
| BOLT-FLANGED,8X30 (Ref # 130A) | 130CA0830 | 1 |
| BOLT-FLANGED,8X45 (Ref # 130B) | 130CA0845 | 1 |
| NUT-HEX-SMALL,8MM (Ref # 318) | 318BA0800 | 1 |
| NUT-CASTLE (Ref # 321) | 321BA1000 | 2 |
| PIN-COTTER,2.0X22 (Ref # 550) | 550AA2022 | 2 |