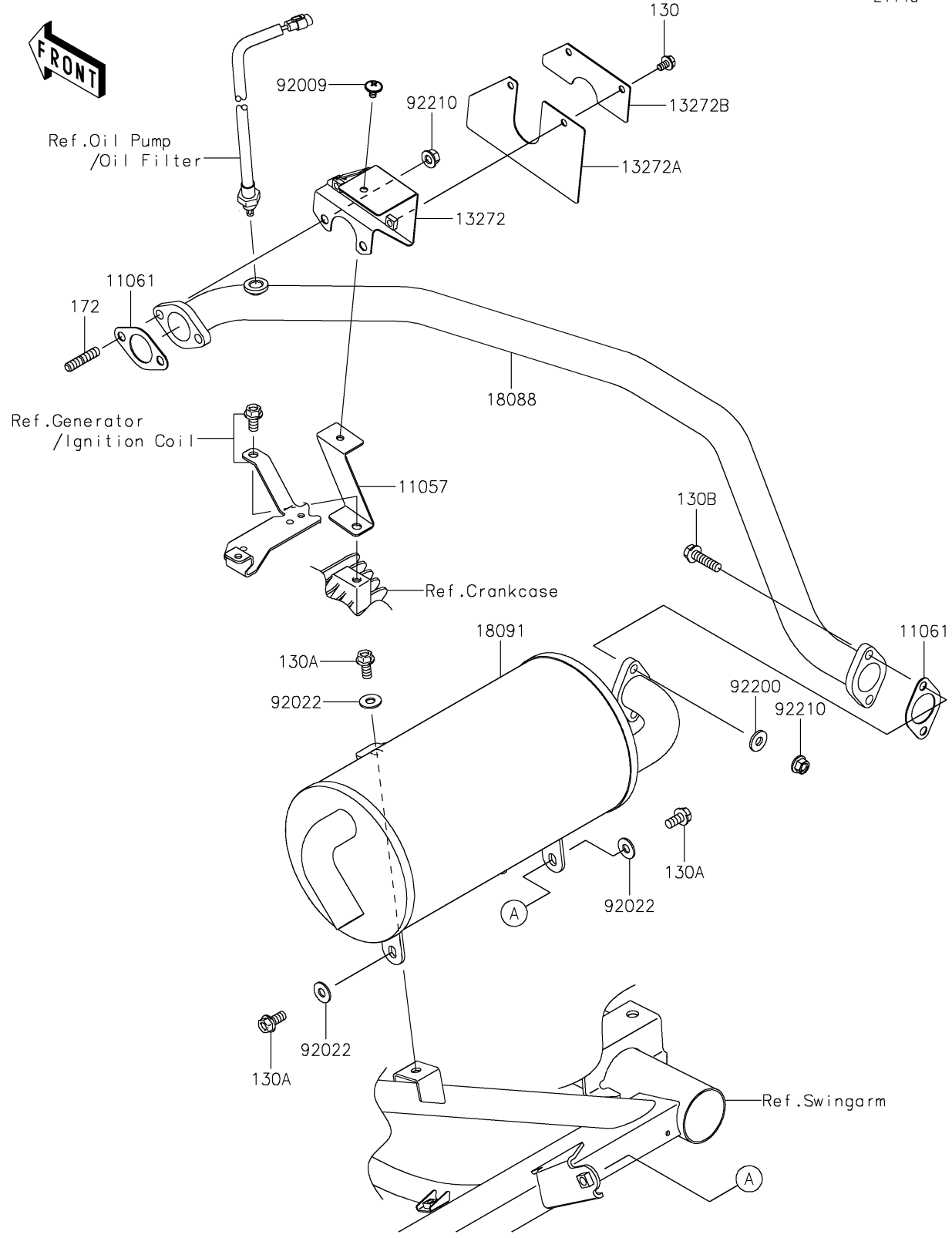


2019 MULE SX™ 4x4 FI PARTS DIAGRAM

Muffler(s)

E1140



2019 MULE SX™ 4x4 FI PARTS LIST

Muffler(s)

ITEM NAME	PART NUMBER	QUANTITY
BRACKET (Ref # 11057)	11057-1829	1
GASKET (Ref # 11061)	11061-0132	2
PLATE (Ref # 13272)	13272-2621	1
PLATE (Ref # 13272A)	13272-2622	1
PLATE (Ref # 13272B)	13272-2623	1
PIPE-EXHAUST (Ref # 18088)	18088-1402	1
BODY-COMP-MUFFLER (Ref # 18091)	18091-0487	1
SCREW,6X10 (Ref # 92009)	92009-1661	1
WASHER,8.5X20X1.6 (Ref # 92022)	92022-1561	3
WASHER,8.5X18X2.3 (Ref # 92200)	92200-1213	2
NUT,8MM (Ref # 92210)	92210-1456	4
BOLT-FLANGED,6X10 (Ref # 130)	130BA0610	2
BOLT-FLANGED,8X16 (Ref # 130A)	130CA0816	3
BOLT-FLANGED,8X30 (Ref # 130B)	130CD0830	2
BOLT-STUD,8X22 (Ref # 172)	172BA0822	2