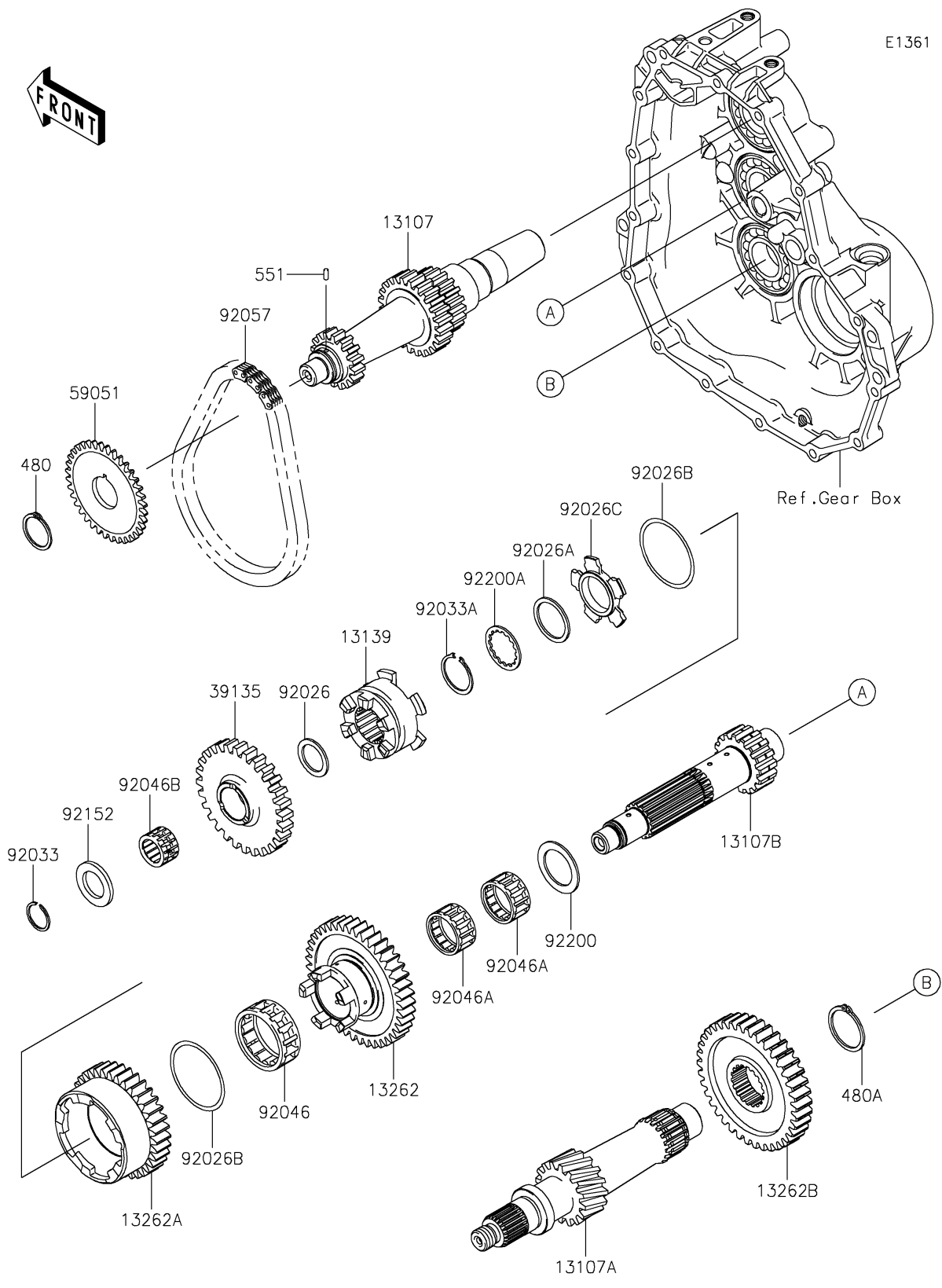


# 2019 MULE SX™ 4x4 XC CAMO FI PARTS DIAGRAM

Transmission



# 2019 MULE SX™ 4x4 XC CAMO FI PARTS LIST

Transmission

ITEM NAME	PART NUMBER	QUANTITY
-----------	-------------	----------