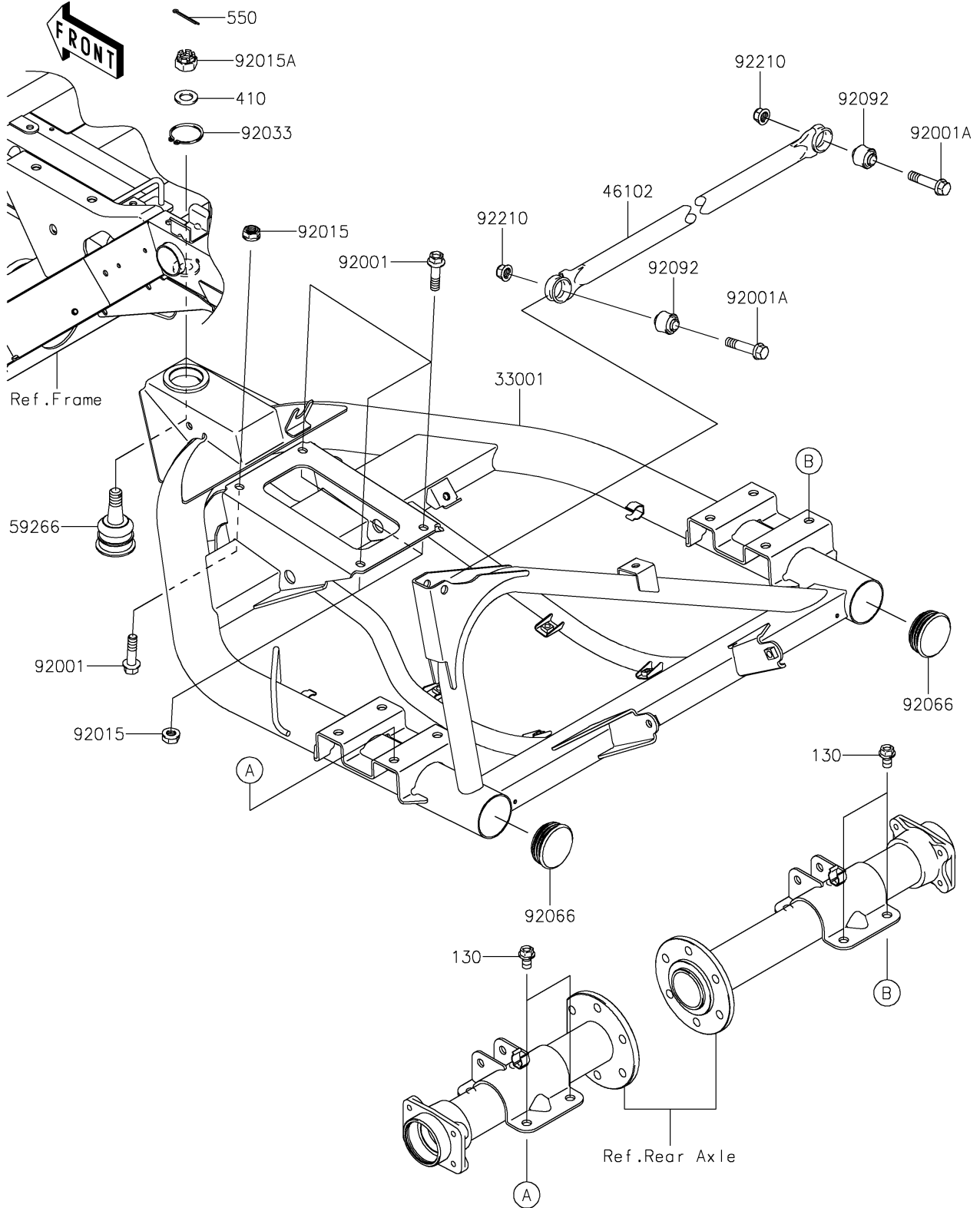


2019 MULE SX™ 4x4 XC CAMO FI PARTS DIAGRAM

Swingarm

F2141



2019 MULE SX™ 4x4 XC CAMO FI PARTS LIST

Swingarm

| ITEM NAME | PART NUMBER | QUANTITY |
|-------------------------------------|-------------|----------|
| ARM-COMP-SWING (Ref # 33001) | 33001-0715 | 1 |
| ROD (Ref # 46102) | 46102-0583 | 1 |
| JOINT-BALL (Ref # 59266) | 59266-1087 | 1 |
| BOLT,FLANGED,10X38 (Ref # 92001) | 92001-1293 | 4 |
| BOLT,FLANGED,10X44 (Ref # 92001A) | 92001-1499 | 2 |
| NUT,LOCK,FLANGED,10MM (Ref # 92015) | 92015-1717 | 4 |
| NUT,CASTLE,14MM (Ref # 92015A) | 92015-1841 | 1 |
| RING-SNAP (Ref # 92033) | 92033-0050 | 1 |
| PLUG (Ref # 92066) | 92066-0044 | 2 |
| BUSHING-RUBBER (Ref # 92092) | 92092-7502 | 2 |
| NUT,LOCK,FLANGED,10MM (Ref # 92210) | 92210-0276 | 2 |
| BOLT-FLANGED,10X16 (Ref # 130) | 130BA1016 | 8 |
| WASHER-PLAIN-SMALL,14MM (Ref # 410) | 410AA1400 | 1 |
| PIN-COTTER,3.2X30 (Ref # 550) | 550AA3230 | 1 |