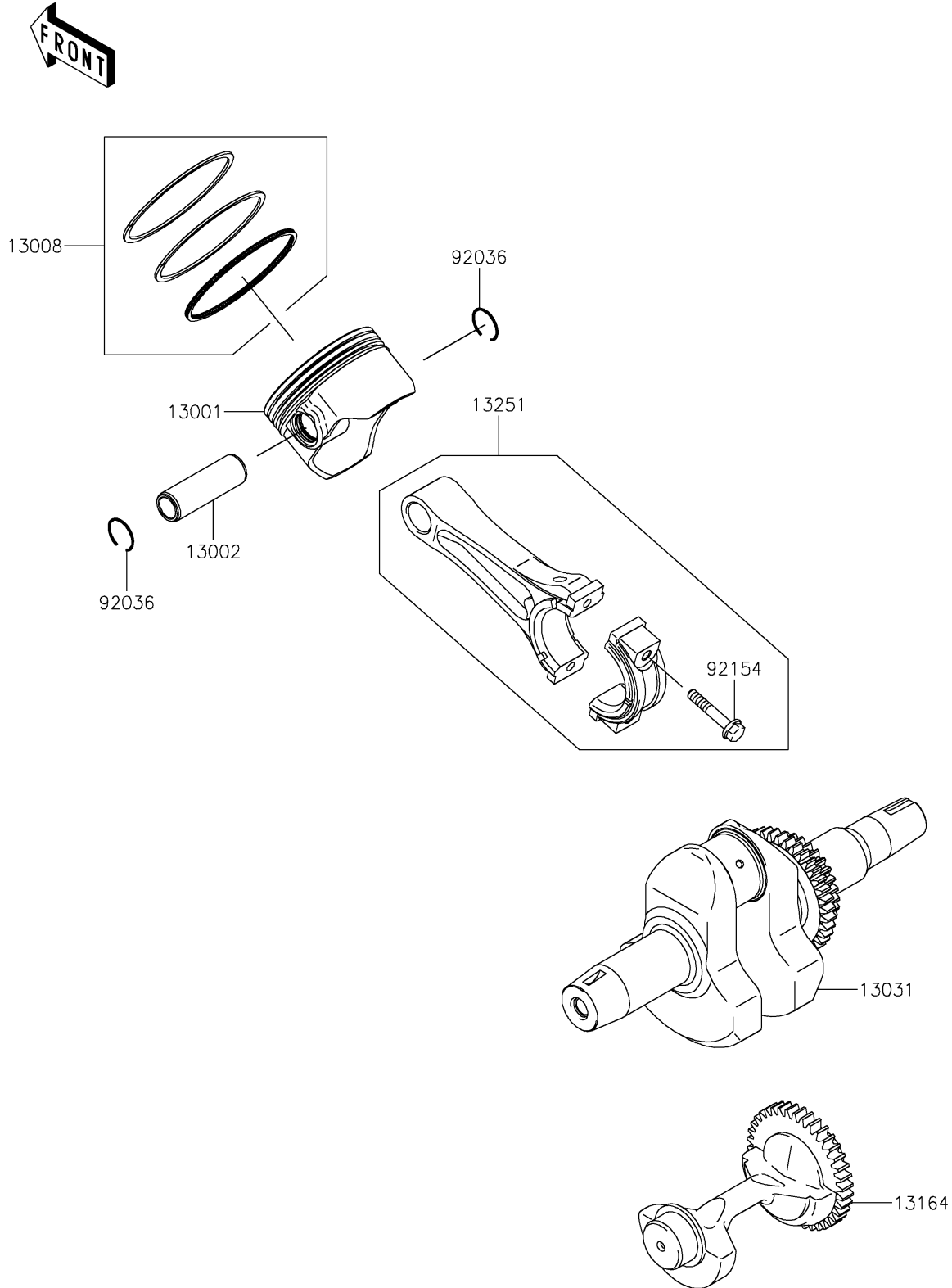


2019 MULE SX™ 4x4 XC LE FI PARTS DIAGRAM

Crankshaft/Piston(s)

E1320



2019 MULE SX™ 4x4 XC LE FI PARTS LIST

Crankshaft/Piston(s)

| ITEM NAME | PART NUMBER | QUANTITY |
|------------------------------------|-------------|----------|
| PISTON-ENGINE (Ref # 13001) | 13001-7013 | 1 |
| PIN-PISTON (Ref # 13002) | 13002-7003 | 1 |
| RING-SET-PISTON (Ref # 13008) | 13008-6063 | 1 |
| CRANKSHAFT-COMP (Ref # 13031) | 13031-0760 | 1 |
| BALANCER-COMP (Ref # 13164) | 13164-0012 | 1 |
| ROD-ASSY-CONNECTING (Ref # 13251) | 13251-0049 | 1 |
| RING-SNAP,PISTON PIN (Ref # 92036) | 92036-008 | 2 |
| BOLT,6X35 (Ref # 92154) | 92154-2842 | 2 |