

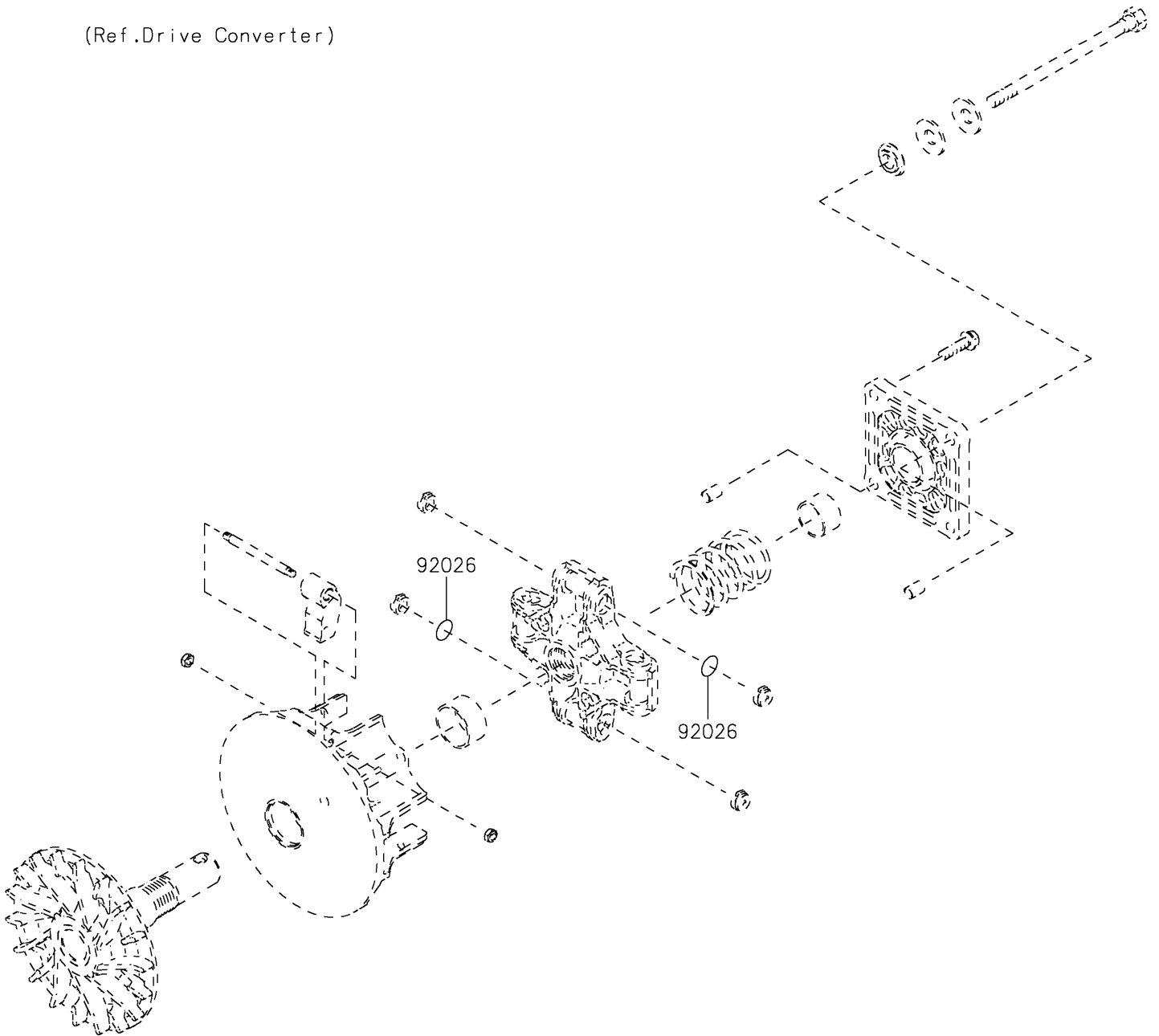
2020 MULE SX™ 4x4 XC LE FI PARTS DIAGRAM

Optional Parts(Engine)

F2890



(Ref. Drive Converter)



2020 MULE SX™ 4x4 XC LE FI PARTS LIST

Optional Parts(Engine)

| ITEM NAME | PART NUMBER | QUANTITY |
|----------------------------|-------------|----------|
| SPACER,T=0.1 (Ref # 92026) | 92026-0038 | 2 |