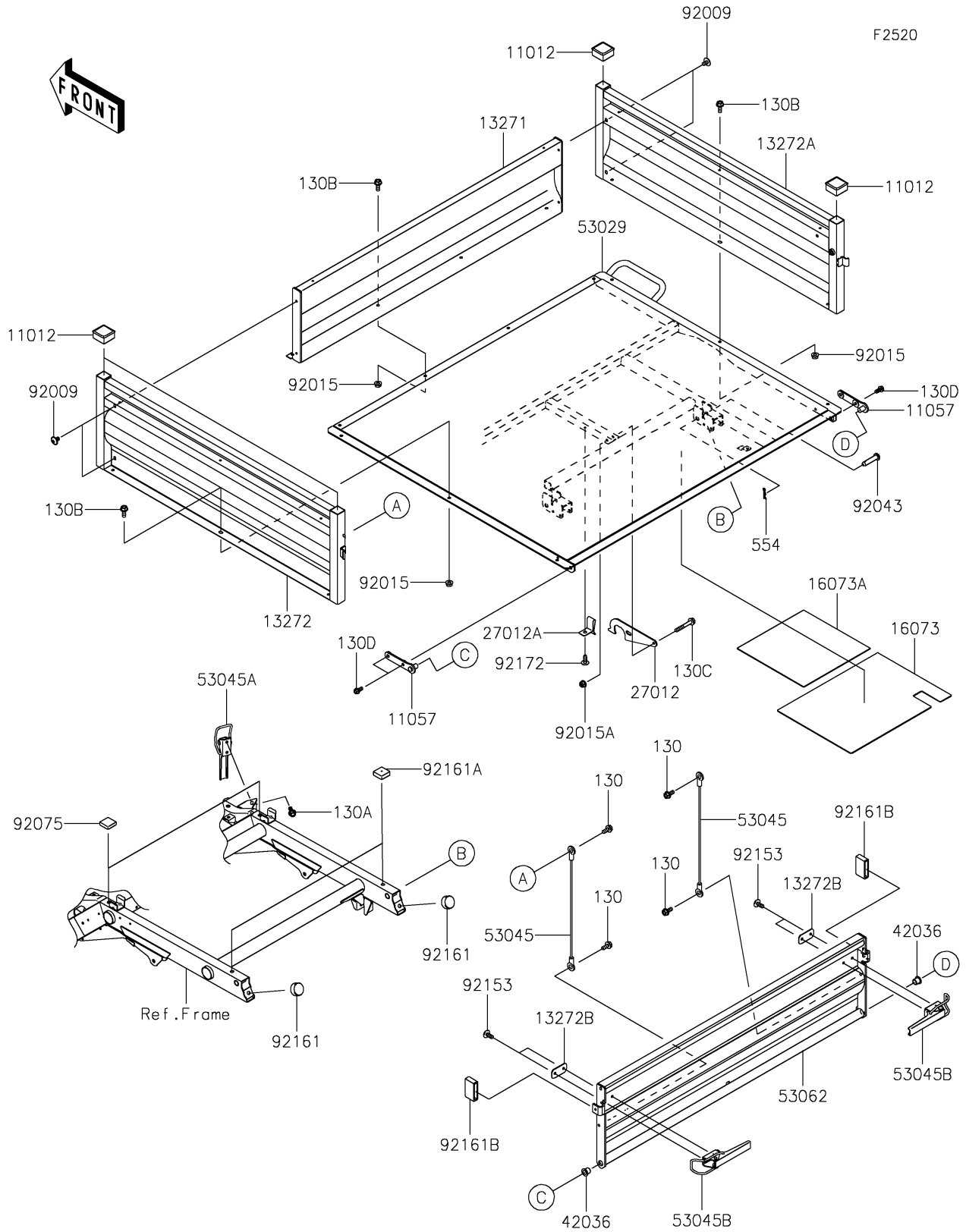


2020 MULE SX™ 4x4 SE FI PARTS DIAGRAM

Carrier(s)



2020 MULE SX™ 4x4 SE FI PARTS LIST

Carrier(s)

| ITEM NAME | PART NUMBER | QUANTITY |
|---|----------------|----------|
| CAP (Ref # 11012) | 11012-1784 | 4 |
| BRACKET, TAIL GATE (Ref # 11057) | 11057-1623 | 2 |
| PLATE, CARRIER, SIDE, FR, BLACK (Ref # 13271) | 13271-0385-10 | 1 |
| PLATE, SIDE CARRIER, LH, BLACK (Ref # 13272) | 13272-2506-10 | 1 |
| PLATE, SIDE CARRIER, RH, BLACK (Ref # 13272A) | 13272-2507-10 | 1 |
| PLATE (Ref # 13272B) | 13272-7516 | 2 |
| INSULATOR, 295X400 (Ref # 16073) | 16073-0868 | 1 |
| INSULATOR, 265X265 (Ref # 16073A) | 16073-0869 | 1 |
| HOOK (Ref # 27012) | 27012-0044 | 1 |
| HOOK, CARRIER (Ref # 27012A) | 27012-1445 | 1 |
| SLEEVE (Ref # 42036) | 42036-0839 | 2 |
| CARRIER, BASE, T. BLACK (Ref # 53029) | 53029-0356-388 | 1 |
| HOOK-ASSY, CABLE (Ref # 53045) | 53045-0030 | 2 |
| HOOK-ASSY (Ref # 53045A) | 53045-0032 | 1 |
| HOOK-ASSY (Ref # 53045B) | 53045-0033 | 2 |
| GATE-TAIL, BLACK (Ref # 53062) | 53062-0026-10 | 1 |
| SCREW, 6X10 (Ref # 92009) | 92009-1661 | 4 |
| NUT, FLANGED, 6MM (Ref # 92015) | 92015-1367 | 10 |
| NUT, LOCK, FLANGED, 6MM (Ref # 92015A) | 92015-1675 | 1 |
| PIN, 12X54 (Ref # 92043) | 92043-1451 | 2 |
| DAMPER (Ref # 92075) | 92075-1882 | 2 |
| BOLT, SOCKET, 6X14 (Ref # 92153) | 92153-1021 | 4 |
| DAMPER, SEAT (Ref # 92161) | 92161-1065 | 2 |
| DAMPER (Ref # 92161A) | 92161-2219 | 2 |
| DAMPER (Ref # 92161B) | 92161-7519 | 2 |
| SCREW, TAPPING, 6X16 (Ref # 92172) | 92172-0739 | 1 |
| BOLT-FLANGED, 6X10 (Ref # 130) | 130BA0610 | 4 |
| BOLT-FLANGED, 6X14 (Ref # 130A) | 130BA0614 | 2 |
| BOLT-FLANGED, 6X16 (Ref # 130B) | 130BA0616 | 10 |

2020 MULE SX™ 4x4 SE FI PARTS LIST

Carrier(s)

| ITEM NAME | PART NUMBER | QUANTITY |
|--------------------------------|-------------|----------|
| BOLT-FLANGED,6X40 (Ref # 130C) | 130BA0640 | 1 |
| BOLT-FLANGED,8X20 (Ref # 130D) | 130BA0820 | 4 |
| PIN-SNAP,12MM (Ref # 554) | 554DA1200 | 2 |