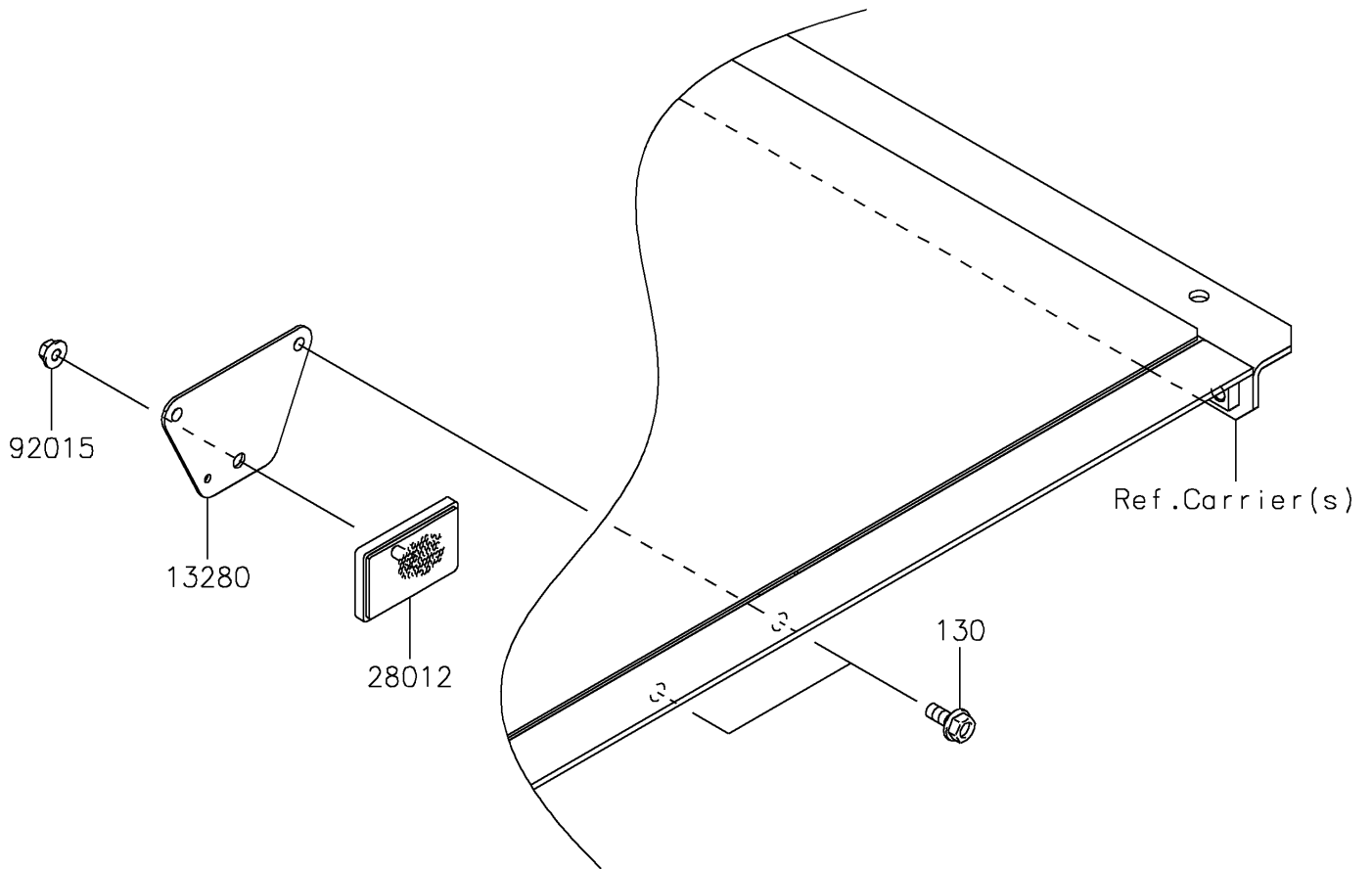


# 2020 MULE SX™ 4x4 SE FI PARTS DIAGRAM

Reflectors

F2790



## 2020 MULE SX™ 4x4 SE FI PARTS LIST

### Reflectors

ITEM NAME	PART NUMBER	QUANTITY
HOLDER,REFLECTOR (Ref # 13280)	13280-0937	1
REFLECTOR-REFLEX (Ref # 28012)	28012-1088	1
NUT,FLANGED,5MM (Ref # 92015)	92015-1259	1
BOLT-FLANGED,6X14 (Ref # 130)	130BA0614	2