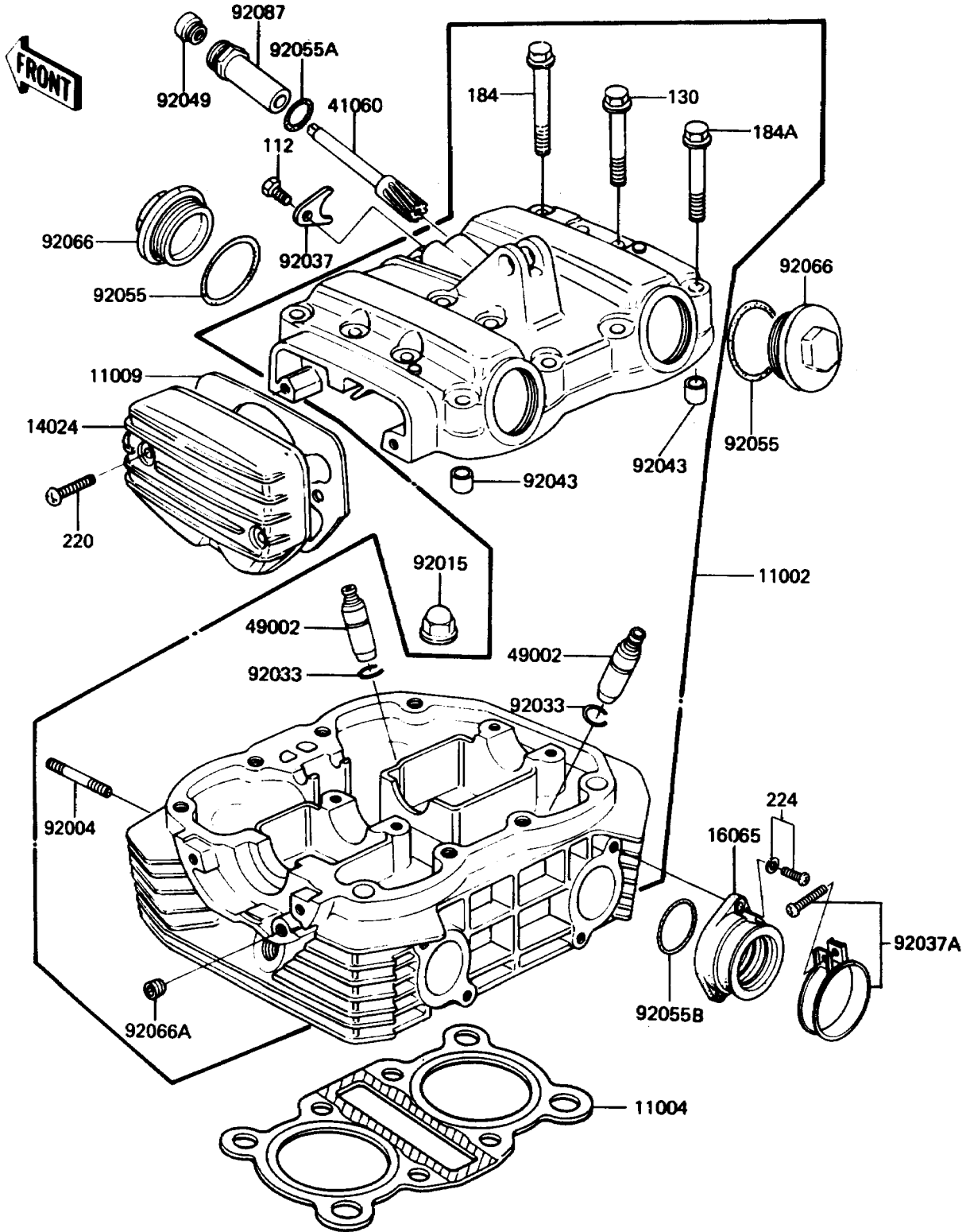


1988 LTD PARTS DIAGRAM

Cylinder Head

E1111-0016



1988 LTD PARTS LIST

Cylinder Head

ITEM NAME	PART NUMBER	QUANTITY
HEAD-ASSY-CYLINDER (Ref # 11002)	11002-1172	1
GASKET-HEAD (Ref # 11004)	11004-1036	1
GASKET,BREAKER (Ref # 11009)	11009-1067	1
COVER,BREAKER,BARREL (Ref # 14024)	14025-1208	1
HOLDER-CARBURETOR (Ref # 16065)	16065-1069	2
GEAR-METER SCREW (Ref # 41060)	41060-1020	1
GUIDE-VALVE (Ref # 49002)	49002-1021	AR
STUD,6X30 (Ref # 92004)	92004-1128	4
NUT,CAP,8MM (Ref # 92015)	92015-1151	8
RING-SNAP (Ref # 92033)	92036-023	4
CLAMP,METER GEAR (Ref # 92037)	92037-1030	1
CLAMP,ID=53,BLACK (Ref # 92037A)	92037-1304	2
PIN,9.2X12X14 (Ref # 92043)	92043-1265	2
SEAL-OIL (Ref # 92049)	92050-075	1
RING-O,36MM (Ref # 92055)	92055-1005	4
RING-O,13X1.9 (Ref # 92055A)	92055-1021	1
RING-O,33.2MM (Ref # 92055B)	92055-1155	2
PLUG,36X7.5 (Ref # 92066)	92066-1006	4
PLUG,1/8X7 (Ref # 92066A)	92066-1173	1
BUSHING-METER GEAR (Ref # 92087)	92087-1001	1
BOLT-UPSET (Ref # 112)	112X0614	1
BOLT-FLANGED (Ref # 130)	130Y0650	5
BOLT-UPSET-WP-SMALL (Ref # 184)	184Y0850	6
BOLT-UPSET-WP-SMALL (Ref # 184A)	184Y0860	2
SCREW-PAN-CROS (Ref # 220)	220X0625	2
SCREW-PAN-WP-CROS (Ref # 224)	224X0618	4