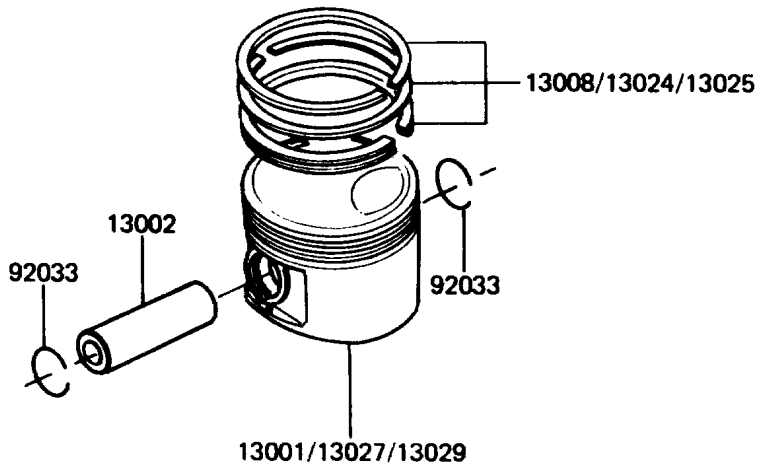
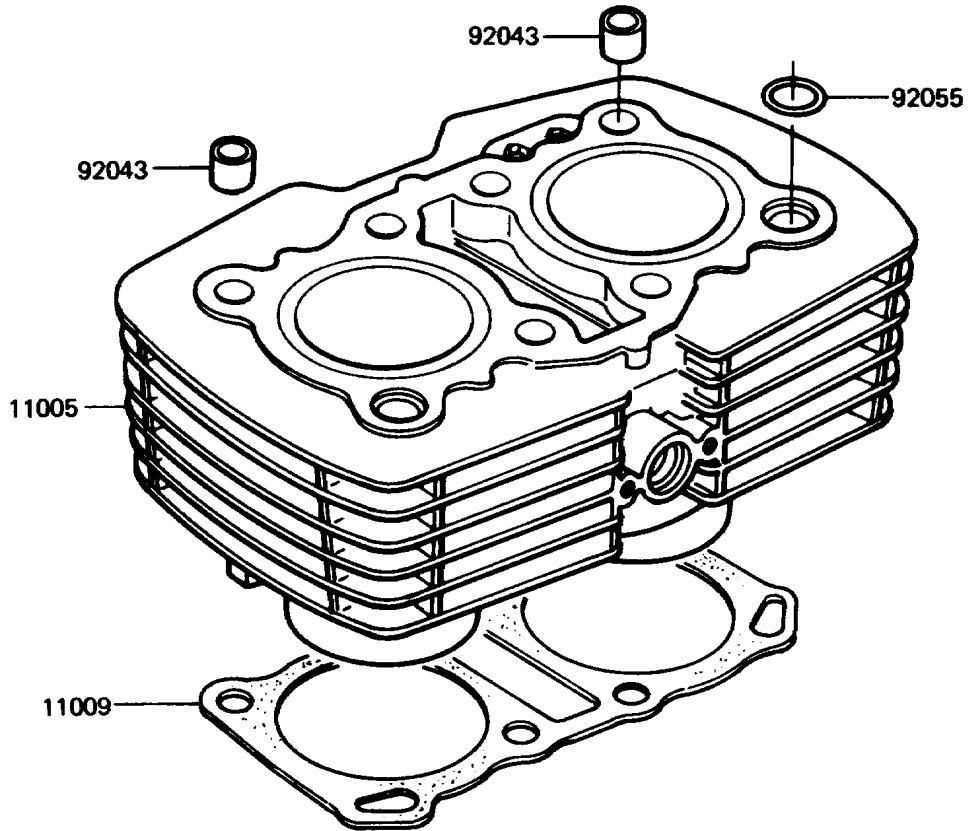


1988 LTD PARTS DIAGRAM

Cylinder/Piston(s)

E1120-0012



1988 LTD PARTS LIST

Cylinder/Piston(s)

ITEM NAME	PART NUMBER	QUANTITY
CYLINDER-ENGINE,SILVER (Ref # 11005)	11005-1159	1
GASKET,CYLINDER (Ref # 11009)	11009-1217	1
PISTON-ENGINE,STD (Ref # 13001)	13001-1051	2
PIN-PISTON (Ref # 13002)	13002-1051	2
RING-SET-PISTON,STD (Ref # 13008)	13008-1008	2
RING-SET-PISTON LL,O/S 1.00 (Ref # 13024)	13024-1007	2
RING-SET-PISTON L,O/S 0.50 (Ref # 13025)	13025-1007	2
PISTON-ENGINE LL,O/S 1.00 (Ref # 13027)	13027-1020	2
PISTON-ENGINE L,O/S 0.50 (Ref # 13029)	13029-1019	2
RING-SNAP,PISTON PIN (Ref # 92033)	92033-1058	4
PIN,9.2X12X14 (Ref # 92043)	92043-1265	2
RING-O,10MM (Ref # 92055)	92055-1150	2