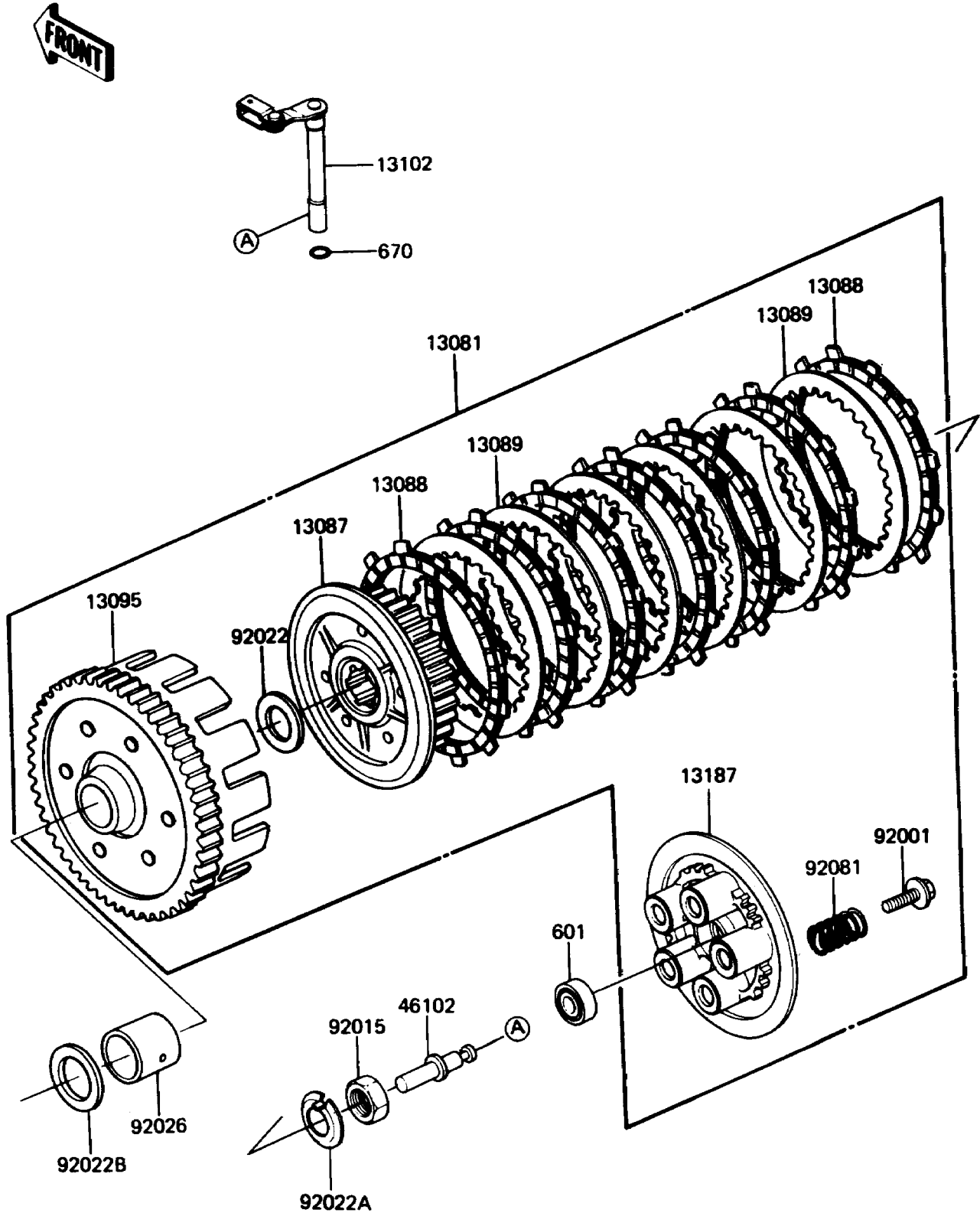


1988 LTD PARTS DIAGRAM

Clutch

E1350-0021



1988 LTD PARTS LIST

Clutch

ITEM NAME	PART NUMBER	QUANTITY
CLUTCH-ASSY (Ref # 13081)	13081-1065	1
HUB-CLUTCH (Ref # 13087)	13087-1005	1
PLATE-FRICTION (Ref # 13088)	13088-1009	7
PLATE-CLUTCH (Ref # 13089)	13089-1005	6
HOUSING-COMP-CLUTCH (Ref # 13095)	13095-1020	1
RELEASE-COMP-CLUTCH (Ref # 13102)	13102-1009	1
PLATE-CLUTCH OPERATING (Ref # 13187)	13187-1018	1
ROD,CLUTCH (Ref # 46102)	46102-1030	1
BOLT,FLANGED,6X18 (Ref # 92001)	92001-1066	5
NUT,20MM (Ref # 92015)	92016-028	1
WASHER,25.5X38X2 (Ref # 92022)	92022-1075	1
WASHER,LOCK (Ref # 92022A)	92022-1142	1
WASHER,25.5X38X1 (Ref # 92022B)	92022-145	1
SPACER,CLUTCH (Ref # 92026)	92026-1052	1
SPRING,CLUTCH (Ref # 92081)	92081-1078	5
BEARING-BALL,#6001C3 (Ref # 601)	601B6001	1
O RING,9MM (Ref # 670)	670B1509	1