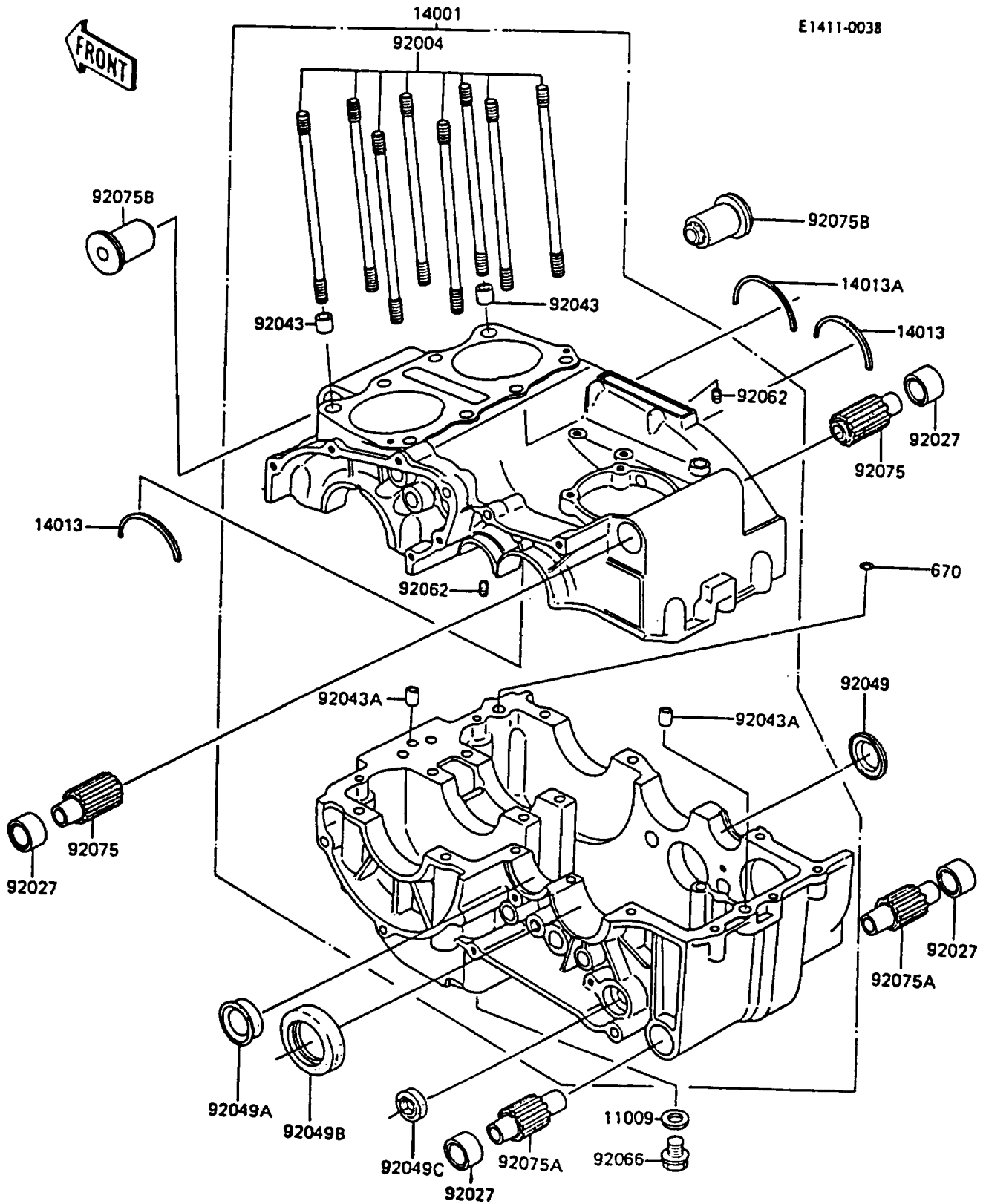


# 1988 LTD PARTS DIAGRAM

Crankcase



# 1988 LTD PARTS LIST

## Crankcase

ITEM NAME	PART NUMBER	QUANTITY
GASKET,12X22X2,DRAIN PLUG (Ref # 11009)	92065-097	1
SET-CRANKCASE,BARREL (Ref # 14001)	14001-5093	1
RING-POSITION (Ref # 14013)	14013-004	2
RING-POSITION,T=1.98 (Ref # 14013A)	14013-1004	1
STUD,8X146 (Ref # 92004)	92004-1016	8
COLLAR,15.5X22X13 (Ref # 92027)	92027-1391	4
PIN,DOWEL,12X14 (Ref # 92043)	92042-031	2
PIN,DOWEL,10X14 (Ref # 92043A)	92043-1037	2
SEAL-OIL,OIL,OUTPUT SHAFT (Ref # 92049)	92049-1019	1
SEAL-OIL,PLUG (Ref # 92049A)	92049-1074	1
SEAL-OIL,SC325210 (Ref # 92049B)	92050-024	1
SEAL-OIL,TB13225.5 (Ref # 92049C)	92051-005	1
NOZZLE,BLACK (Ref # 92062)	92062-011	2
PLUG,OIL DRAIN,12X15 (Ref # 92066)	92066-1174	1
DAMPER,RR,UPP (Ref # 92075)	92075-1363	2
DAMPER,RR,LWR (Ref # 92075A)	92075-1364	2
DAMPER,FR (Ref # 92075B)	92075-1437	2
O RING,10MM (Ref # 670)	670B2010	1