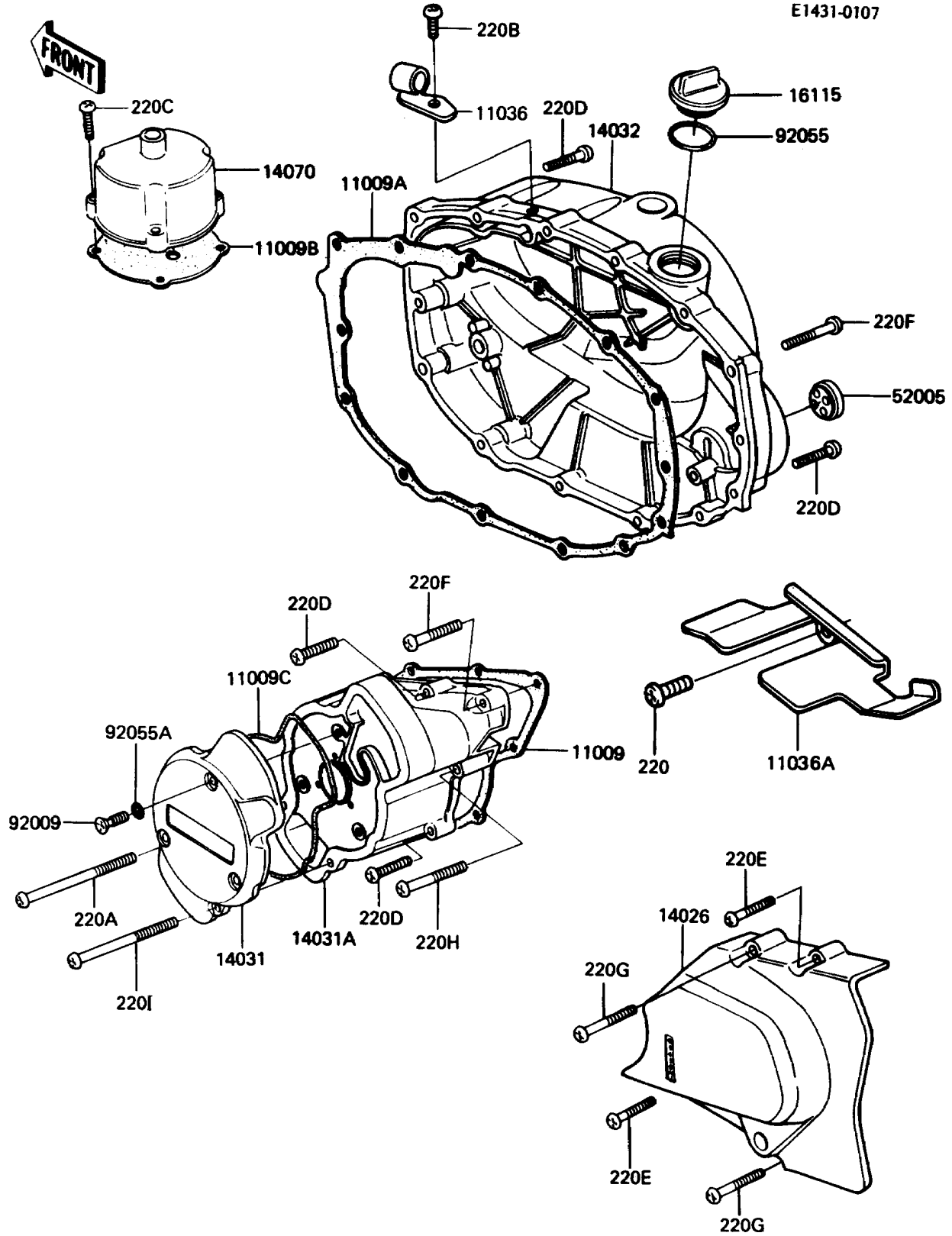


# 1988 LTD PARTS DIAGRAM

Engine Cover(s)

E1431-0107



# 1988 LTD PARTS LIST

## Engine Cover(s)

ITEM NAME	PART NUMBER	QUANTITY
GASKET,GENERATOR COVER (Ref # 11009)	11009-1070	1
GASKET,CLUTCH COVER (Ref # 11009A)	11009-1071	1
GASKET,BREATHER BODY (Ref # 11009B)	11009-1239	1
GASKET,GENERATOR COVER (Ref # 11009C)	11009-1309	1
BRACKET-A,CLUTCH CABLE (Ref # 11036)	11036-1124	1
BRACKET-A,HARNESS (Ref # 11036A)	11036-1862	1
COVER-CHAIN (Ref # 14026)	14026-1102	1
COVER-GENERATOR,"B" (Ref # 14031)	14031-1101	1
COVER-GENERATOR,"A" (Ref # 14031A)	14031-1112	1
COVER-CLUTCH (Ref # 14032)	14032-1070	1
BODY-BREATHER (Ref # 14070)	14070-1002	1
CAP-OIL FILLER (Ref # 16115)	16115-1009	1
GAUGE,OIL LEVEL (Ref # 52005)	52005-1009	1
SCREW,6X30 (Ref # 92009)	92009-1013	3
RING-O,31.5X2.6 (Ref # 92055)	92055-049	1
RING-O,5.28X1.78 (Ref # 92055A)	92055-109	3
SCREW-PAN-CROS,6X14 (Ref # 220)	220B0614	1
SCREW-PAN-CROS (Ref # 220A)	220X06100	1
SCREW-PAN-CROS (Ref # 220B)	220X0612	1
SCREW-PAN-CROS (Ref # 220C)	220X0625	4
SCREW-PAN-CROS (Ref # 220D)	220X0630	15
SCREW-PAN-CROS (Ref # 220E)	220X0635	2
SCREW-PAN-CROS (Ref # 220F)	220X0640	3
SCREW-PAN-CROS (Ref # 220G)	220X0645	2
SCREW-PAN-CROS (Ref # 220H)	220X0655	2
SCREW-PAN-CROS (Ref # 220I)	220X0690	1