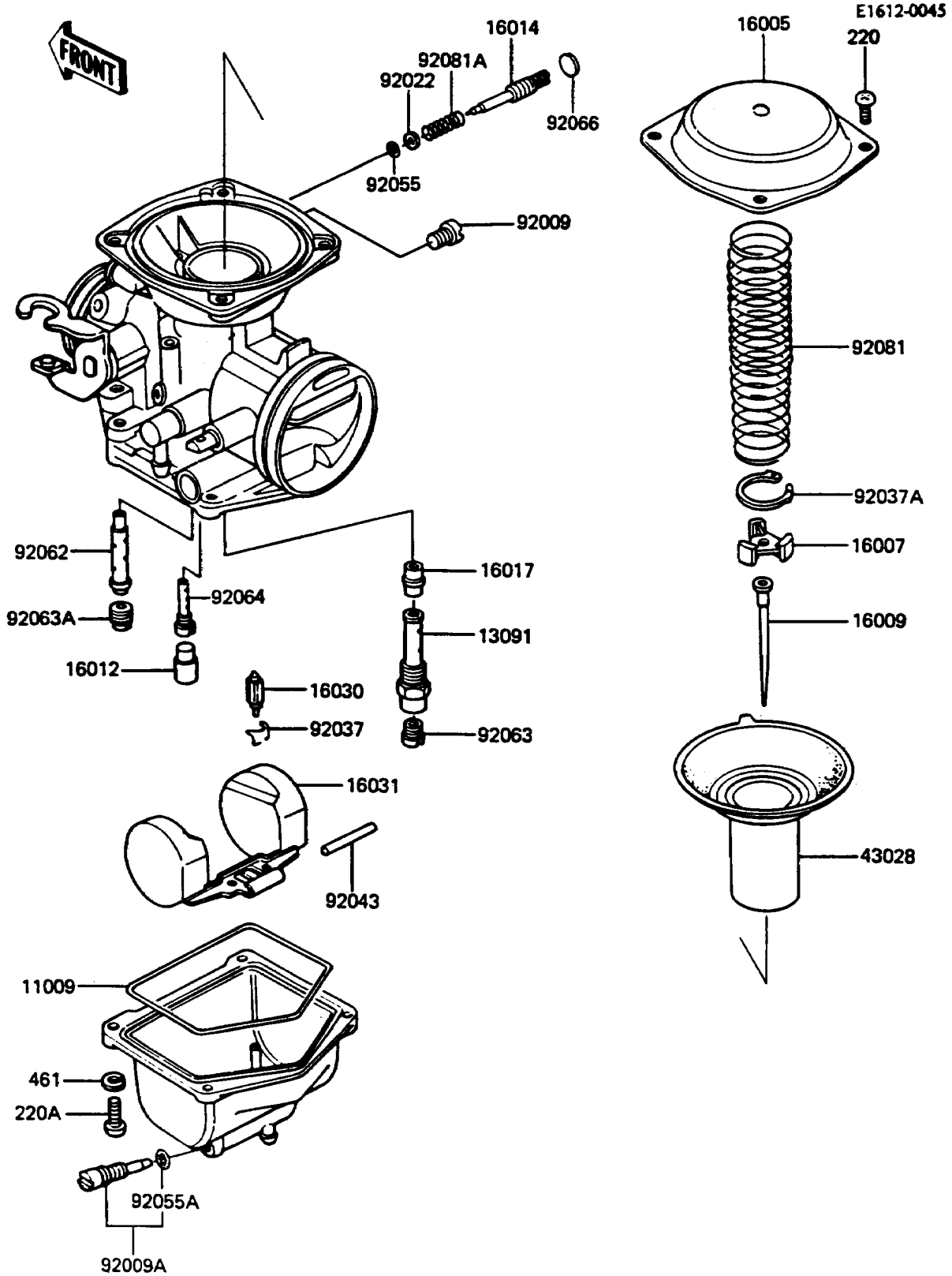


1988 LTD PARTS DIAGRAM

Carburetor Parts



1988 LTD PARTS LIST

Carburetor Parts

ITEM NAME	PART NUMBER	QUANTITY
O RING,FLOAT CHAMBER (Ref # 11009)	16019-024	2
HOLDER,NEEDLE JET,N413-02E00 (Ref # 13091)	13091-1050	2
TOP-CHAMBER,MIXING (Ref # 16005)	16005-1001	2
SEAT-SPRING,THROTTLE VALVE (Ref # 16007)	16007-1001	2
NEEDLE-JET,#N05C (Ref # 16009)	16009-1081	2
CAP,RUBBER (Ref # 16012)	16012-1001	2
SCREW-PILOT AIR (Ref # 16014)	16014-1029	2
JET-NEEDLE (Ref # 16017)	16017-1079	2
VALVE-FLOAT (Ref # 16030)	16030-1007	2
FLOAT (Ref # 16031)	16031-1001	2
DIAPHRAGM (Ref # 43028)	43028-1023	2
SCREW,PLUG (Ref # 92009)	92009-1004	2
SCREW,DRAIN,M6X1.0 (Ref # 92009A)	92009-1095	2
WASHER,PLAIN (Ref # 92022)	92022-1003	2
CLAMP,FLOAT VALVE (Ref # 92037)	16044-007	2
CLAMP (Ref # 92037A)	92037-1005	2
PIN,FLOAT (Ref # 92043)	92043-1002	2
RING-O,PILOT ADJUST (Ref # 92055)	92055-1002	2
RING-O,DRAIN SCREW (Ref # 92055A)	92055-1053	4
NOZZLE,MAIN (Ref # 92062)	92062-1018	2
JET-MAIN,2ND,#85 (Ref # 92063)	92063-1023	2
JET-MAIN,PRI,#62 (Ref # 92063A)	92063-1070	2
JET-PILOT,#35 (Ref # 92064)	92064-1001	2
PLUG,PILOT AIR SCREW,6.9X2 (Ref # 92066)	92066-1051	2
SPRING (Ref # 92081)	92081-1001	2
SPRING,PILOT ADJUST SCREW (Ref # 92081A)	92081-1002	2
SCREW-PAN-CROS (Ref # 220)	220B0408	7
SCREW-PAN-CROS,4X12 (Ref # 220A)	220B0412	8
WASHER-SPRING,4MM (Ref # 461)	461F0400	8