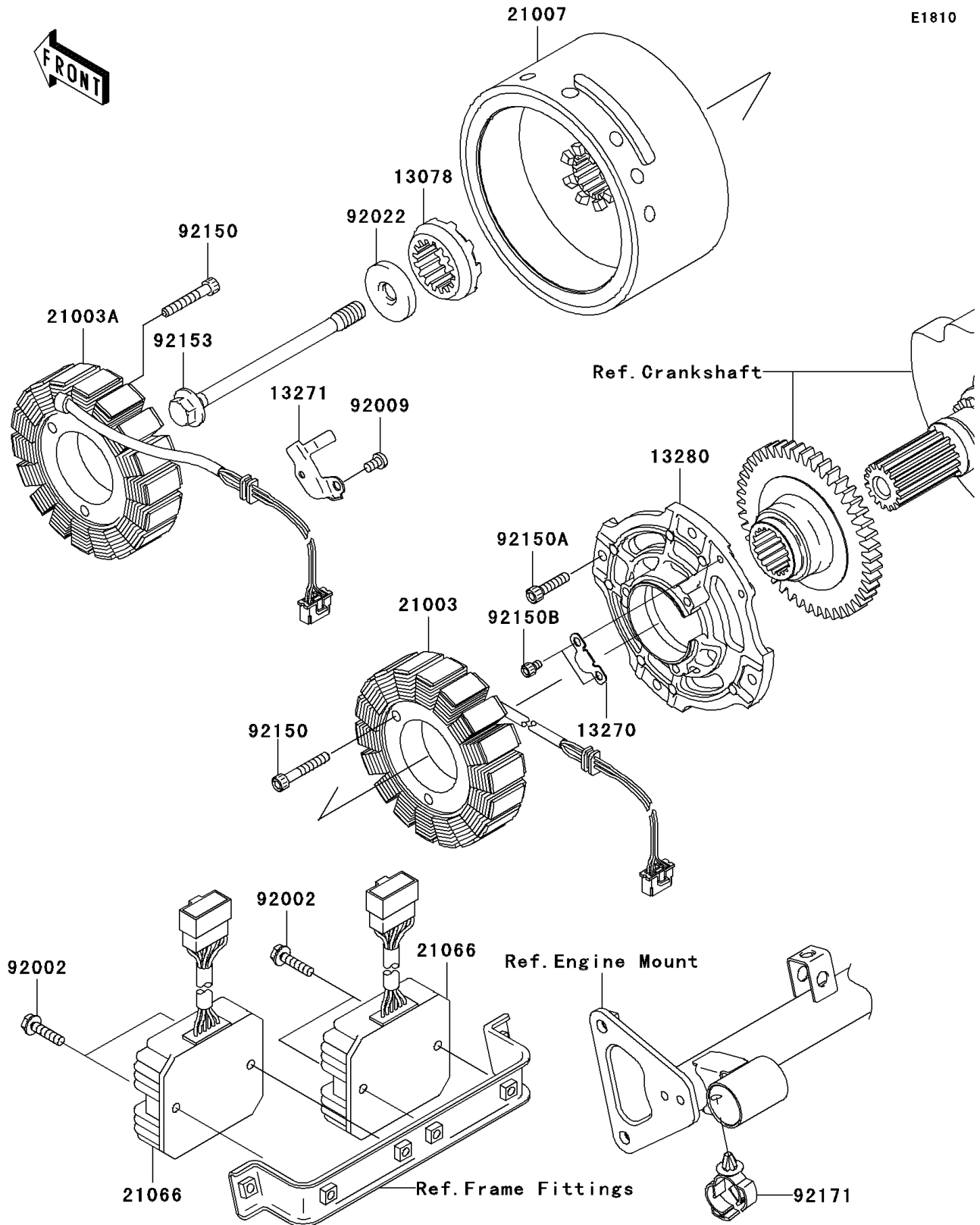


# 2007 Vulcan 1600 Classic PARTS DIAGRAM

Generator

E1810



## 2007 Vulcan 1600 Classic PARTS LIST

### Generator

ITEM NAME	PART NUMBER	QUANTITY
RATCHET (Ref # 13078)	13078-1066	1
PLATE (Ref # 13270)	13270-1925	1
PLATE (Ref # 13271)	13271-1325	1
HOLDER (Ref # 13280)	13280-1069	1
STATOR,INNER (Ref # 21003)	21003-0007	1
STATOR,OUTER (Ref # 21003A)	21003-0008	1
ROTOR (Ref # 21007)	21007-1369	1
REGULATOR-VOLTAGE (Ref # 21066)	21066-1106	2
BOLT,FLANGED,6X25 (Ref # 92002)	92002-1086	4
SCREW (Ref # 92009)	92009-1768	1
WASHER,12X40X6 (Ref # 92022)	92022-1904	1
BOLT,SOCKET,6X35 (Ref # 92150)	92150-1484	6
BOLT,SOCKET,6X22 (Ref # 92150A)	92150-1654	4
BOLT,5X8 (Ref # 92150B)	92150-1955	2
BOLT,12X154 (Ref # 92153)	92153-1105	1
CLAMP,CLIP,DIA=20 (Ref # 92171)	92171-0068	1