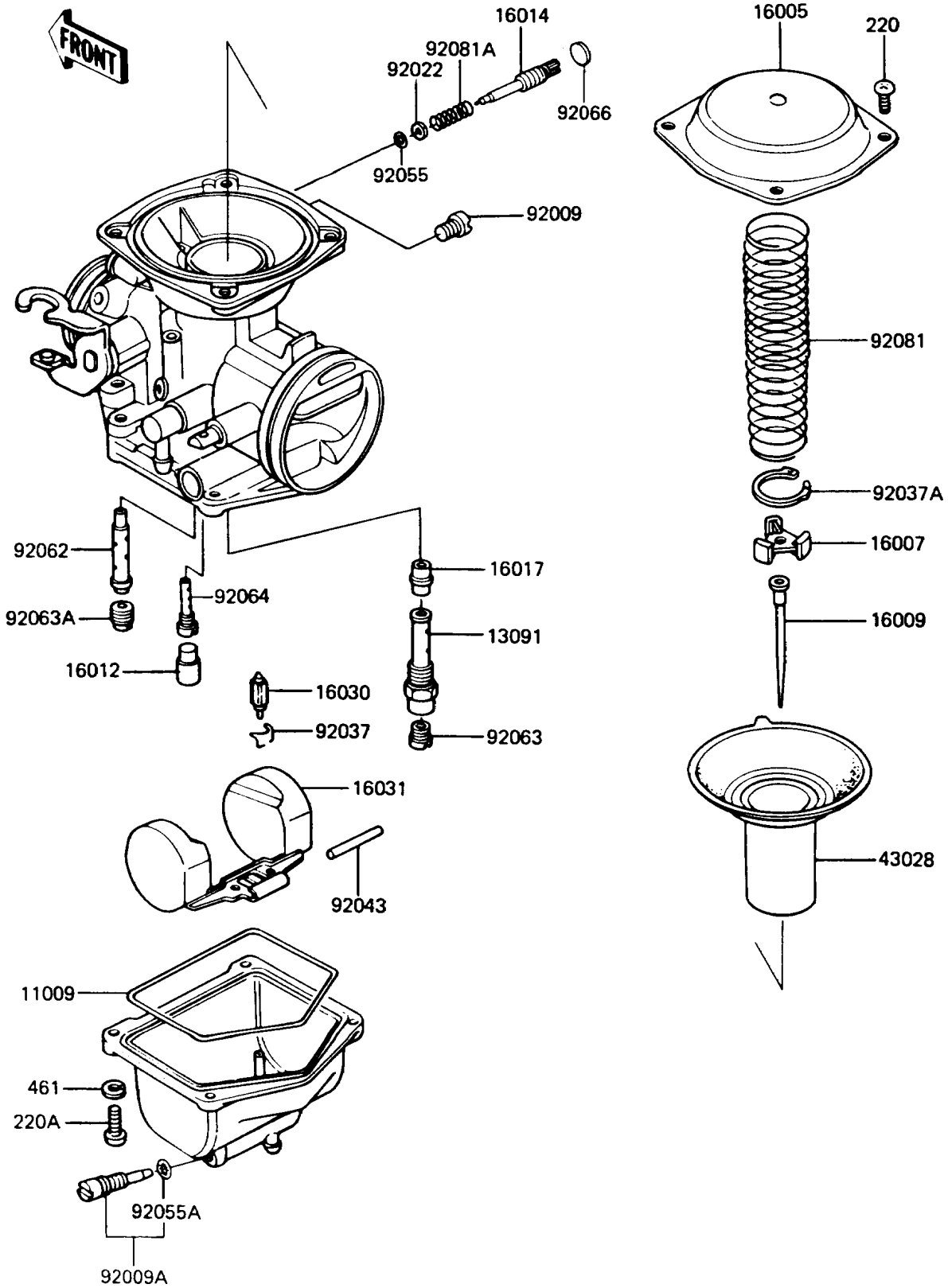


1988 LTD PARTS DIAGRAM

Carburetor Parts



1988 LTD PARTS LIST

Carburetor Parts

| ITEM NAME | PART NUMBER | QUANTITY |
|--|-------------|----------|
| O RING,FLOAT CHAMBER (Ref # 11009) | 16019-024 | 2 |
| HOLDER,NEEDLE JET,N413-02E00 (Ref # 13091) | 13091-1050 | 2 |
| TOP-CHAMBER,MIXING (Ref # 16005) | 16005-1001 | 2 |
| SEAT-SPRING,THROTTLE VALVE (Ref # 16007) | 16007-1001 | 2 |
| NEEDLE-JET,#N05C (Ref # 16009) | 16009-1081 | 2 |
| CAP,RUBBER (Ref # 16012) | 16012-1001 | 2 |
| SCREW-PILOT AIR (Ref # 16014) | 16014-1029 | 2 |
| JET-NEEDLE (Ref # 16017) | 16017-1079 | 2 |
| VALVE-FLOAT (Ref # 16030) | 16030-1007 | 2 |
| FLOAT (Ref # 16031) | 16031-1001 | 2 |
| DIAPHRAGM (Ref # 43028) | 43028-1023 | 2 |
| SCREW,PLUG (Ref # 92009) | 92009-1004 | 2 |
| SCREW,DRAIN,M6X1.0 (Ref # 92009A) | 92009-1095 | 2 |
| WASHER,PLAIN (Ref # 92022) | 92022-1003 | 2 |
| CLAMP,FLOAT VALVE (Ref # 92037) | 16044-007 | 2 |
| CLAMP (Ref # 92037A) | 92037-1005 | 2 |
| PIN,FLOAT (Ref # 92043) | 92043-1002 | 2 |
| RING-O,PILOT ADJUST (Ref # 92055) | 92055-1002 | 2 |
| RING-O,DRAIN SCREW (Ref # 92055A) | 92055-1053 | 4 |
| NOZZLE,MAIN (Ref # 92062) | 92062-1018 | 2 |
| JET-MAIN,2ND,#85 (Ref # 92063) | 92063-1023 | 2 |
| JET-MAIN,PRI,#62 (Ref # 92063A) | 92063-1070 | 2 |
| JET-PILOT,#35 (Ref # 92064) | 92064-1001 | 2 |
| PLUG,PILOT AIR SCREW,6.9X2 (Ref # 92066) | 92066-1051 | 2 |
| SPRING (Ref # 92081) | 92081-1001 | 2 |
| SPRING,PILOT ADJUST SCREW (Ref # 92081A) | 92081-1002 | 2 |
| SCREW-PAN-CROS (Ref # 220) | 220B0408 | 7 |
| SCREW-PAN-CROS,4X12 (Ref # 220A) | 220B0412 | 8 |
| WASHER-SPRING,4MM (Ref # 461) | 461F0400 | 8 |