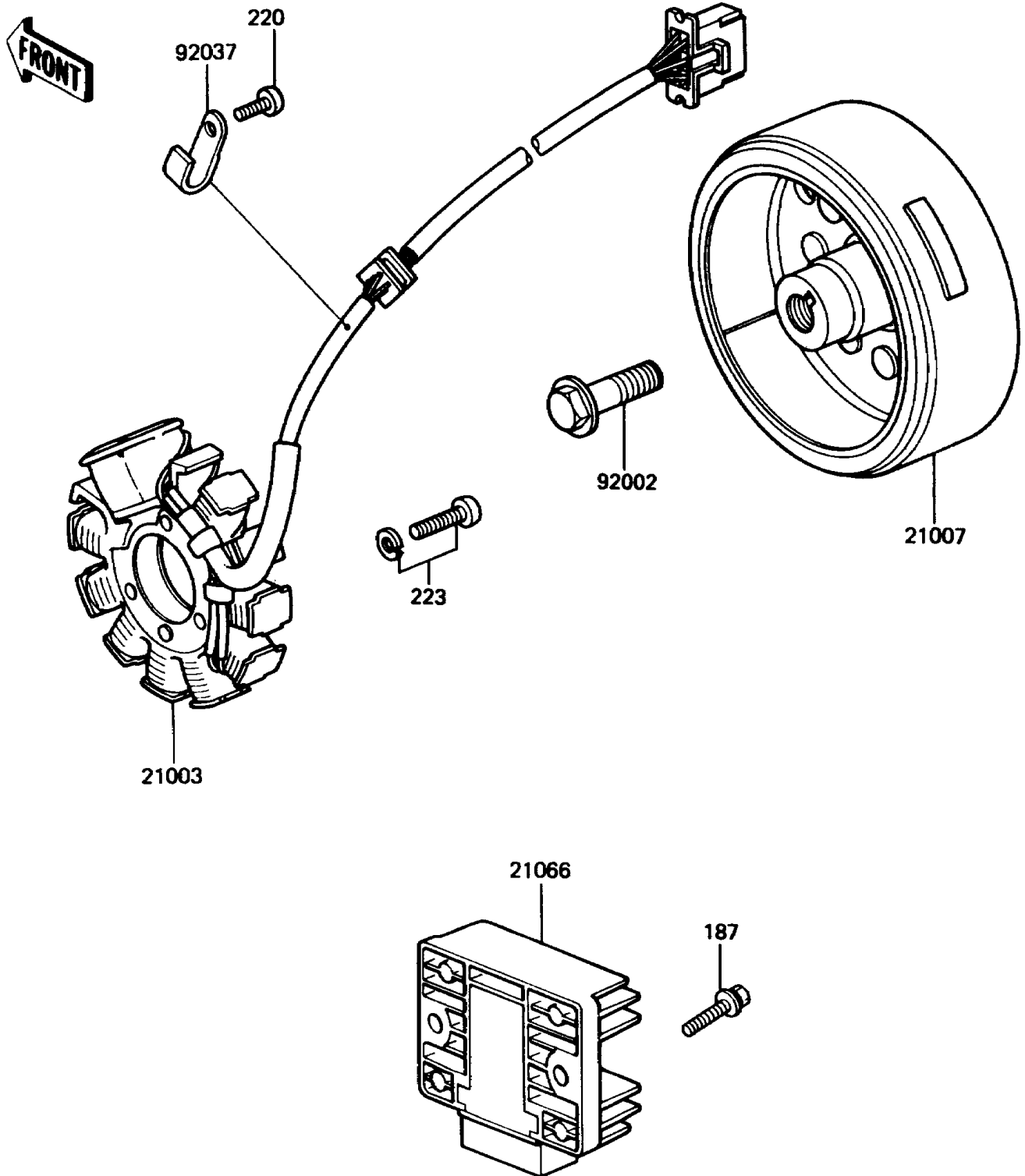


# 1988 LTD PARTS DIAGRAM

Generator

E1810-0065



# 1988 LTD PARTS LIST

## Generator

ITEM NAME	PART NUMBER	QUANTITY
STATOR,GENERATOR (Ref # 21003)	21003-1073	1
ROTOR,GENERATOR (Ref # 21007)	21007-1058	1
REGULATOR-VOLTAGE (Ref # 21066)	21066-1039	1
BOLT,FLANGED,10X40 (Ref # 92002)	92002-1296	1
CLAMP,WIRING HARNESS (Ref # 92037)	21126-008	1
BOLT-UPSET-WSP (Ref # 187)	187B0618	2
SCREW-PAN-CROS,6X12 (Ref # 220)	220B0612	1
SCREW-PAN-WS-CROS (Ref # 223)	223B0530	3