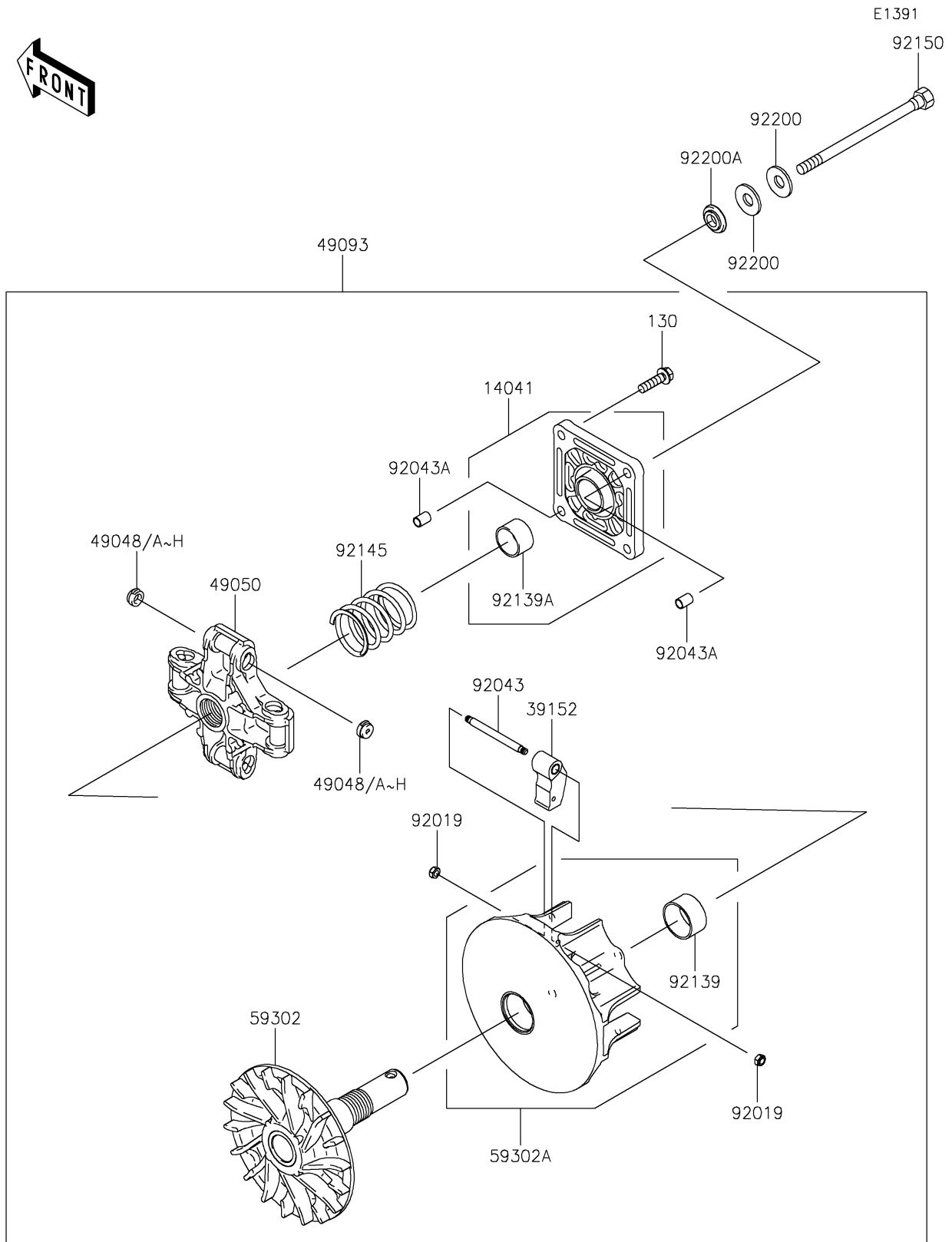


2021 MULE SX™ 4x4 XC CAMO FI PARTS DIAGRAM

Drive Converter



2021 MULE SX™ 4x4 XC CAMO FI PARTS LIST

Drive Converter

| ITEM NAME | PART NUMBER | QUANTITY |
|------------------------------------|-------------|----------|
| COVER-COMP (Ref # 14041) | 14041-0022 | 1 |
| WEIGHT-RAMP (Ref # 39152) | 39152-0031 | 4 |
| SHOE,T=7.2 (Ref # 49048) | 49048-1087 | AR |
| SHOE,T=7.3 (Ref # 49048A) | 49048-1088 | AR |
| SHOE,T=7.4 (Ref # 49048B) | 49048-1089 | AR |
| SHOE,T=7.5 (Ref # 49048C) | 49048-1090 | 8 |
| SHOE,T=7.6 (Ref # 49048D) | 49048-1091 | AR |
| SHOE,T=7.7 (Ref # 49048E) | 49048-1092 | AR |
| SHOE,T=7.8 (Ref # 49048F) | 49048-1093 | AR |
| SHOE,T=7.9 (Ref # 49048G) | 49048-1094 | AR |
| SHOE,T=8.0 (Ref # 49048H) | 49048-1095 | AR |
| SPIDER (Ref # 49050) | 49050-0012 | 1 |
| CONVERTER-ASSY-DRIVE (Ref # 49093) | 49093-0031 | 1 |
| SHEAVE-COMP,FIXED (Ref # 59302) | 59302-0005 | 1 |
| SHEAVE-COMP (Ref # 59302A) | 59302-0097 | 1 |
| NUT,LOCK,6MM (Ref # 92019) | 92019-008 | 8 |
| PIN (Ref # 92043) | 92043-0809 | 4 |
| PIN,8.2X10X14 (Ref # 92043A) | 92043-1264 | 2 |
| BUSHING (Ref # 92139) | 92139-0049 | 1 |
| BUSHING (Ref # 92139A) | 92139-0050 | 1 |
| SPRING (Ref # 92145) | 92145-0742 | 1 |
| BOLT,12X163.5 (Ref # 92150) | 92150-1008 | 1 |
| WASHER (Ref # 92200) | 92200-0249 | 2 |
| WASHER (Ref # 92200A) | 92200-1634 | 1 |
| BOLT-FLANGED,8X30 (Ref # 130) | 130CA0830 | 4 |