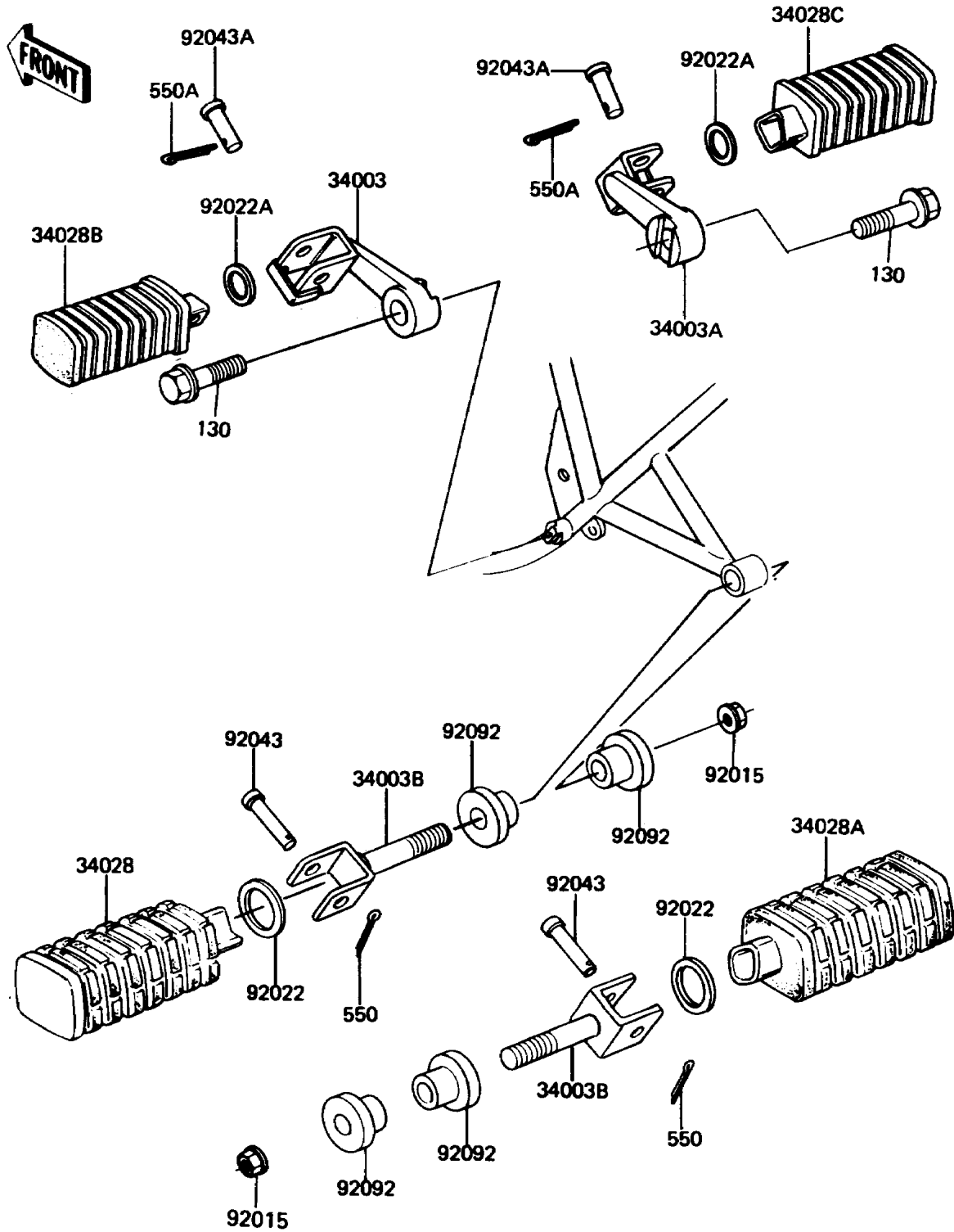


# 1988 LTD PARTS DIAGRAM

Footrests

F2160-0024



# 1988 LTD PARTS LIST

## Footrests

| ITEM NAME                                    | PART NUMBER | QUANTITY |
|--|-------------|----------|
| HOLDER-STEP,FR,LH (Ref # 34003)              | 34003-1099  | 1        |
| HOLDER-STEP,FR,RH (Ref # 34003A)             | 34003-1117  | 1        |
| HOLDER-STEP,RR (Ref # 34003B)                | 34029-008   | 2        |
| STEP,RR,LH (Ref # 34028)                     | 34028-1009  | 1        |
| STEP,RR,RH (Ref # 34028A)                    | 34028-1010  | 1        |
| STEP,FR,LH (Ref # 34028B)                    | 34028-1028  | 1        |
| STEP,FR,RH (Ref # 34028C)                    | 34028-1029  | 1        |
| NUT,FLANGED,10MM (Ref # 92015)               | 92015-1428  | 2        |
| WASHER,22.5X30X2.6 (Ref # 92022)             | 92022-181   | 2        |
| WASHER,25X36X2.3 (Ref # 92022A)              | 92022-250   | 2        |
| PIN,6X28 (Ref # 92043)                       | 92043-079   | 2        |
| PIN,8X35.5 (Ref # 92043A)                    | 92043-115   | 2        |
| BUSHING-RUBBER,MUFFLER FITTING (Ref # 92092) | 92092-010   | 4        |
| BOLT-FLANGED (Ref # 130)                     | 130G1225    | 2        |
| PIN-COTTER,2.0X12 (Ref # 550)                | 550D2012    | 2        |
| PIN-COTTER,2.5X15 (Ref # 550A)               | 550D2515    | 2        |