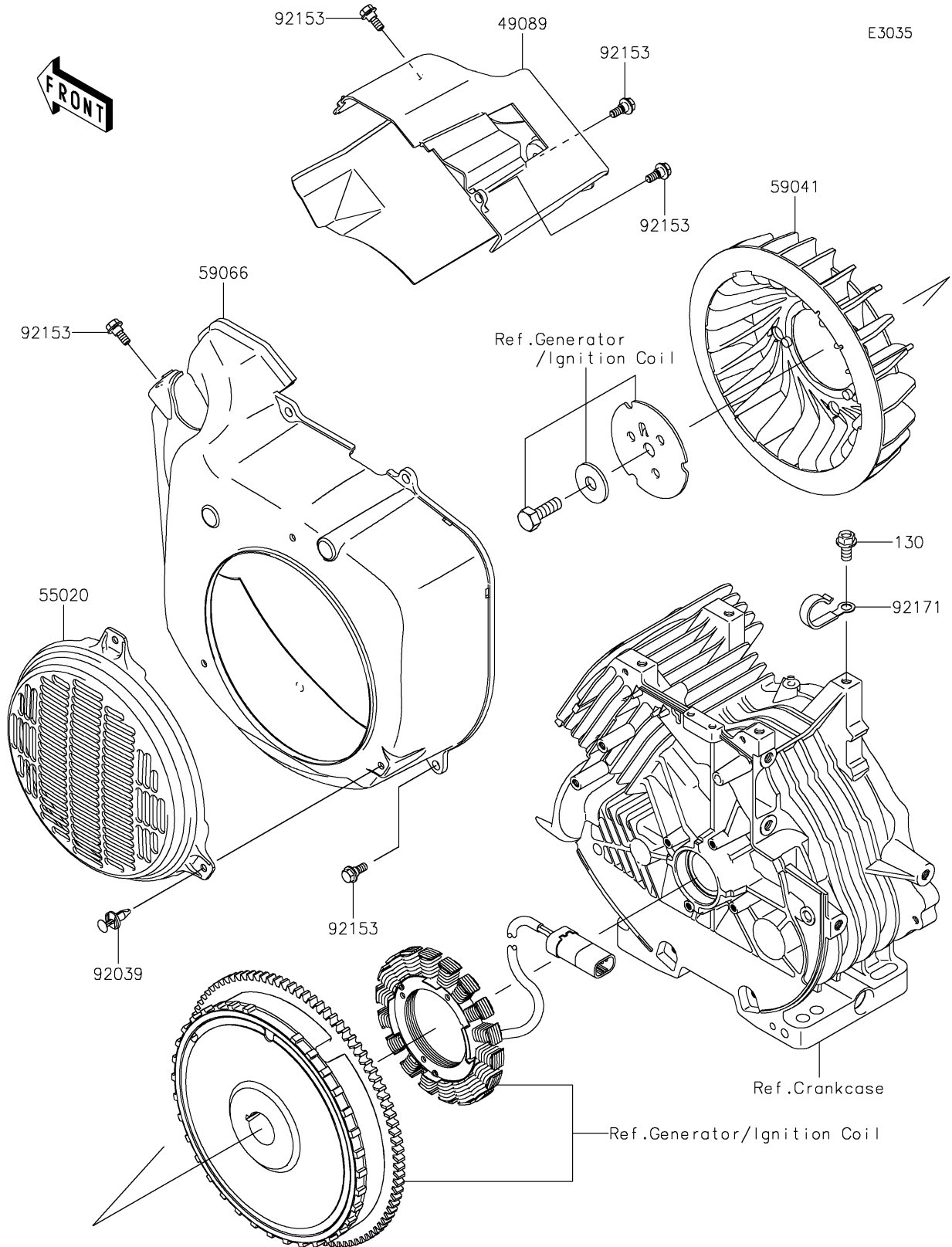


2021 MULE SX™ 4x4 SE FI PARTS DIAGRAM

Cooling



2021 MULE SX™ 4x4 SE FI PARTS LIST

Cooling

ITEM NAME	PART NUMBER	QUANTITY
-----------	-------------	----------