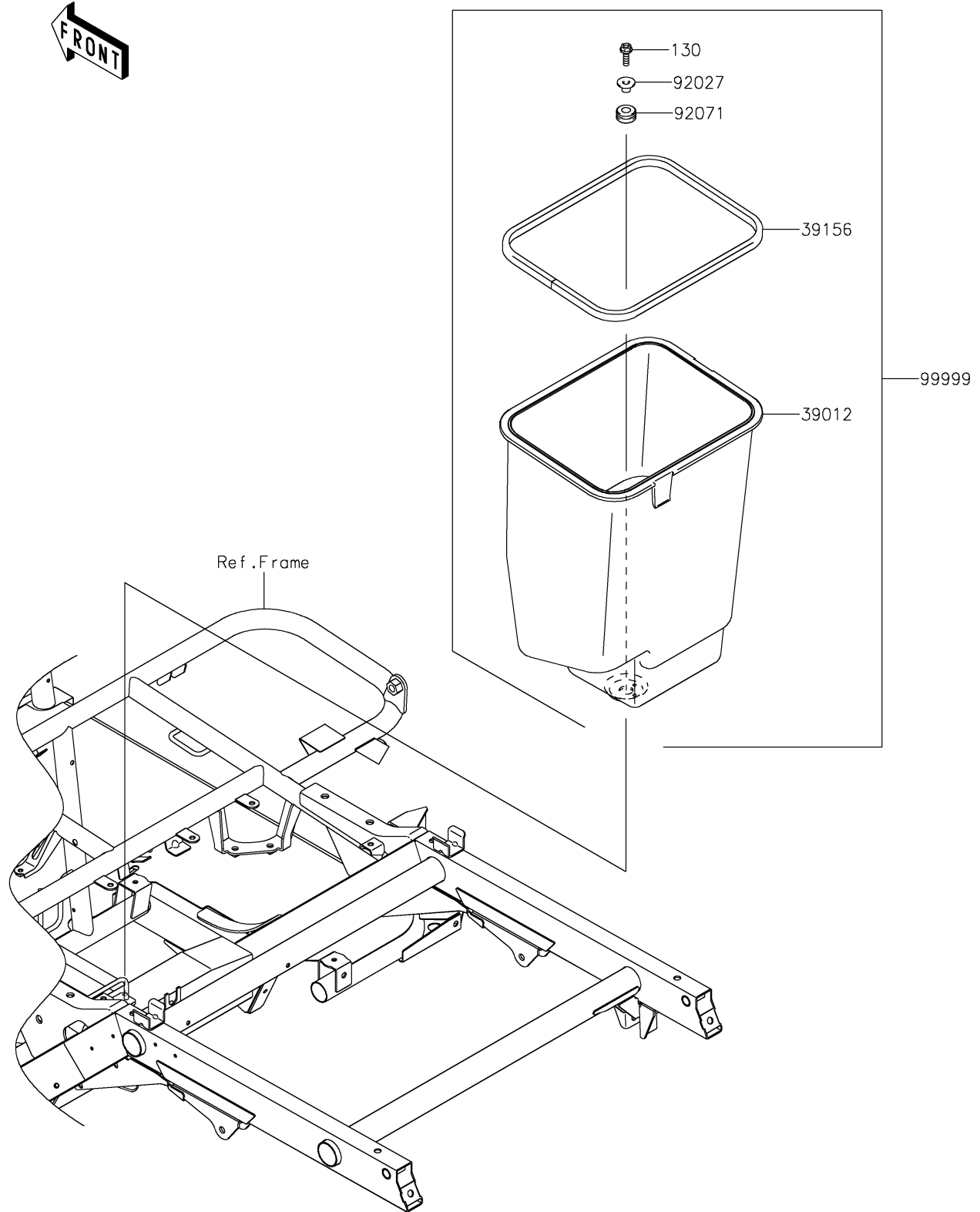


2021 MULE SX™ 4x4 SE FI PARTS DIAGRAM

Optional Parts(Frame)

F2890A



2021 MULE SX™ 4x4 SE FI PARTS LIST

Optional Parts(Frame)

ITEM NAME	PART NUMBER	QUANTITY
-----------	-------------	----------