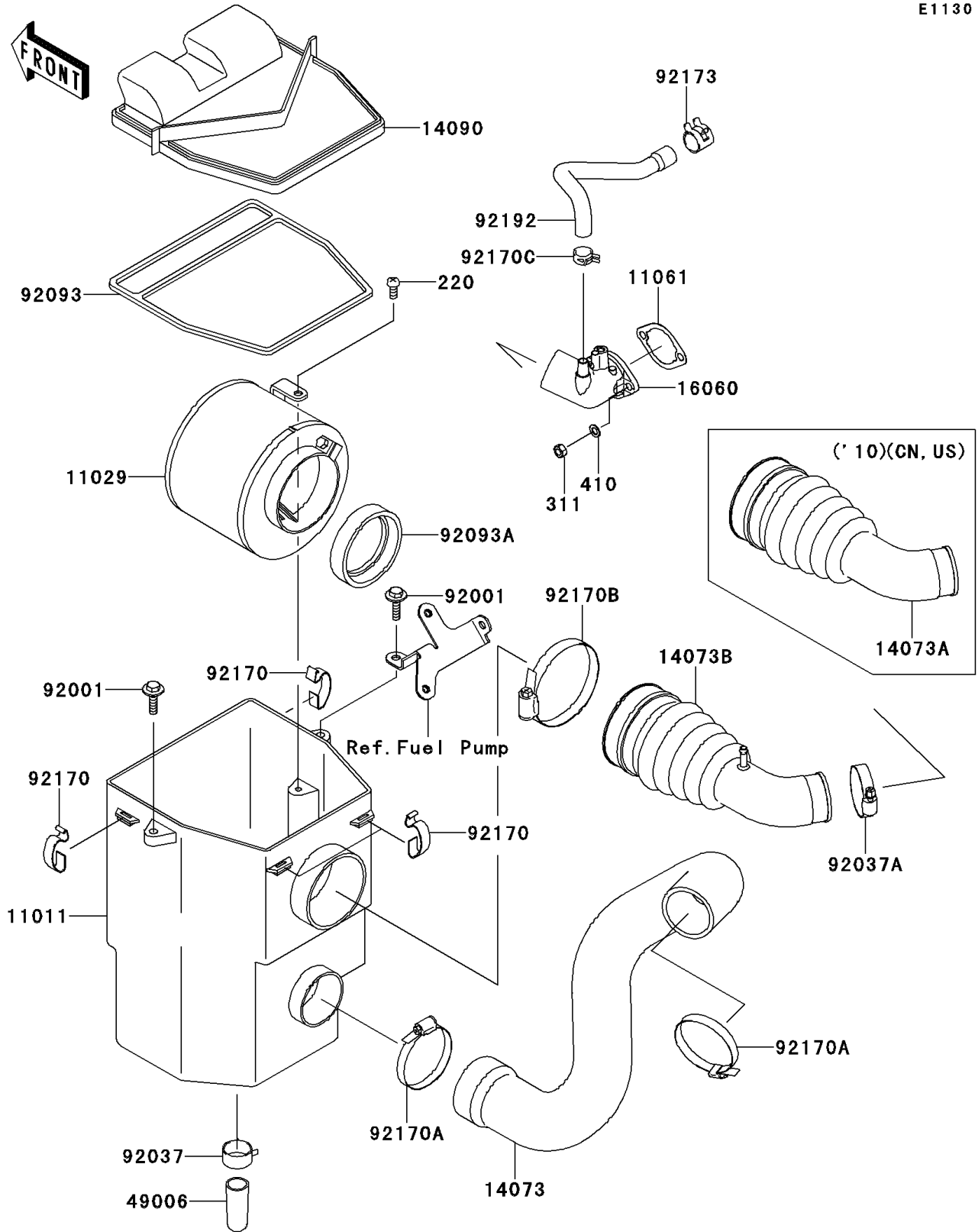


2011 MULE™ 610 4x4 XC PARTS DIAGRAM

Air Cleaner

E1130



2011 MULE™ 610 4x4 XC PARTS LIST

Air Cleaner

ITEM NAME	PART NUMBER	QUANTITY
CASE-AIR FILTER (Ref # 11011)	11011-1367	1
ELEMENT-ASSY-AIR FILTER (Ref # 11029)	11029-1004	1
GASKET (Ref # 11061)	11061-7026	1
DUCT,FRAME-AIR FILTER (Ref # 14073)	14073-0072	1
DUCT,AIR FILTER-IN.PIPE (Ref # 14073B)	14073-0193	1
COVER,AIR FILTER (Ref # 14090)	14090-1106	1
PIPE-INTAKE (Ref # 16060)	16060-2224	1
BOOT (Ref # 49006)	49006-1351	1
BOLT,6X25,W/WASHER (Ref # 92001)	92001-1140	2
CLAMP,HOSE CLIP (Ref # 92037)	92037-1460	1
CLAMP (Ref # 92037A)	92037-506	1
SEAL,AIR FILTER (Ref # 92093)	92093-1241	1
SEAL,DUST (Ref # 92093A)	92093-1322	1
CLAMP,AIR FILTER (Ref # 92170)	92170-1211	4
CLAMP (Ref # 92170A)	92170-1674	2
CLAMP (Ref # 92170B)	92170-1679	1
CLAMP (Ref # 92170C)	92170-7003	1
CLAMP (Ref # 92173)	92173-7003	1
TUBE,BREATHER (Ref # 92192)	92192-2207	1
SCREW-PAN-CROS,6X14 (Ref # 220)	220AA0614	1
NUT-HEX,6MM (Ref # 311)	311AA0600	2
WASHER-PLAIN-SMALL (Ref # 410)	410AA0600	2