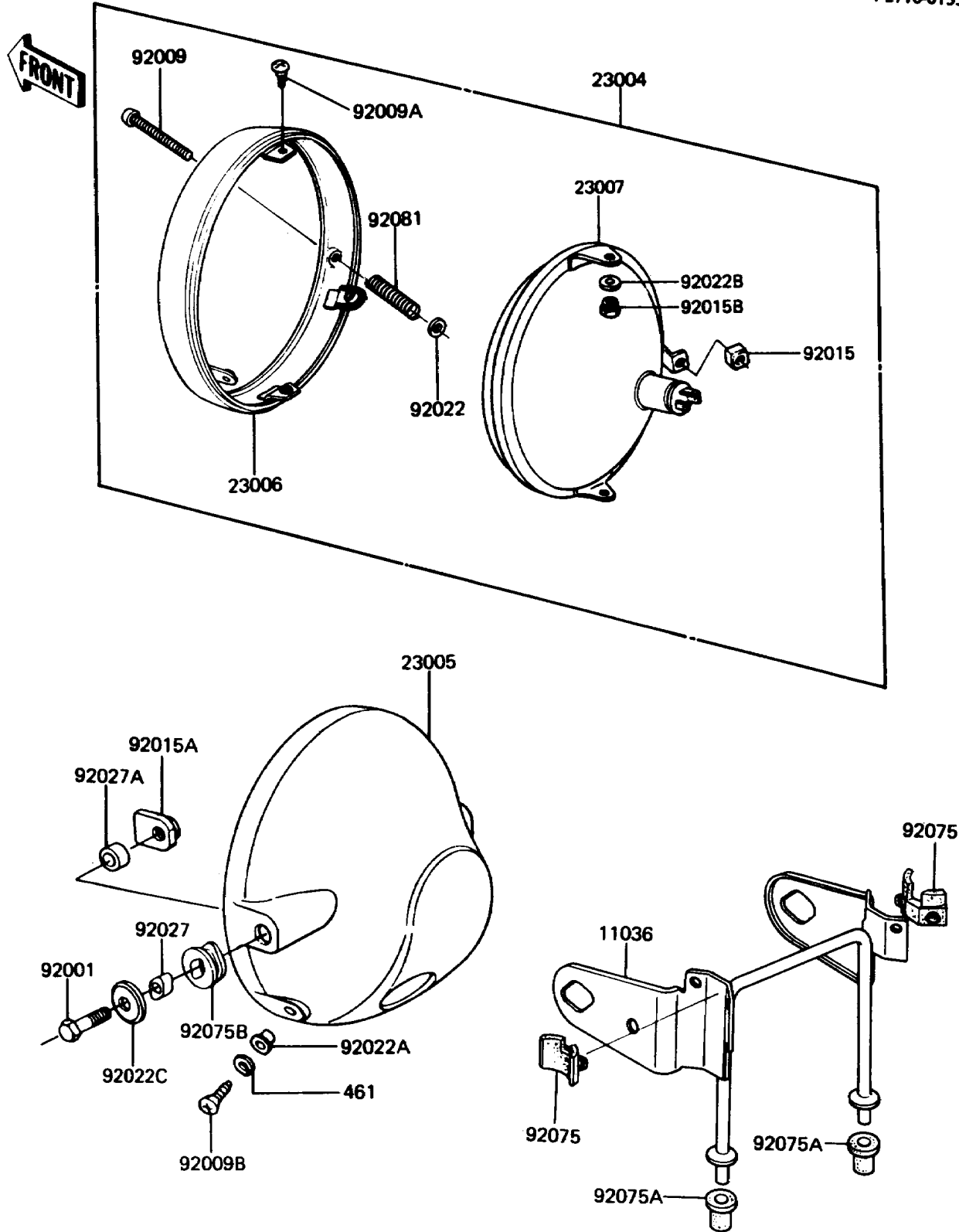


# 1988 LTD PARTS DIAGRAM

Headlight(s)

F2710-0155



# 1988 LTD PARTS LIST

## Headlight(s)

ITEM NAME	PART NUMBER	QUANTITY
BRACKET-A,HEAD LAMP,CR-PLATED (Ref # 11036)	11036-1031	1
LAMP-HEAD (Ref # 23004)	23004-1083	1
BODY-COMP-HEAD LAMP,F.BLACK (Ref # 23005)	23005-047-21	1
RIM-LAMP (Ref # 23006)	23006-044	1
LENS-COMP,"001-1269" MARK (Ref # 23007)	23007-059	1
BOLT,10X35 (Ref # 92001)	92007-024	2
SCREW,FOCUS ADJUSTING (Ref # 92009)	23019-021	1
SCREW,PAN HEAD,5X12 (Ref # 92009A)	23019-023	2
SCREW,5MM (Ref # 92009B)	92011-024	2
NUT,4MM,FOCUS ADJUST (Ref # 92015)	23020-018	1
NUT,10MM (Ref # 92015A)	23020-021	2
NUT,5MM (Ref # 92015B)	23020-023	2
WASHER,4.1X8X0.8 (Ref # 92022)	23021-004	1
WASHER (Ref # 92022A)	23021-010	2
WASHER,PLAIN,5MM (Ref # 92022B)	23021-012	2
WASHER (Ref # 92022C)	92022-289	2
COLLAR,HEAD LAMP (Ref # 92027)	92027-1129	2
COLLAR,10.2X13.4X8.1 (Ref # 92027A)	92027-231	2
DAMPER,BRACKET (Ref # 92075)	92075-1106	2
DAMPER,BRACKET (Ref # 92075A)	92075-1107	2
DAMPER,LAMP (Ref # 92075B)	92075-128	2
SPRING,FOCUS ADJUSTING (Ref # 92081)	23014-011	1
WASHER-SPRING,5MM (Ref # 461)	461F0500	2