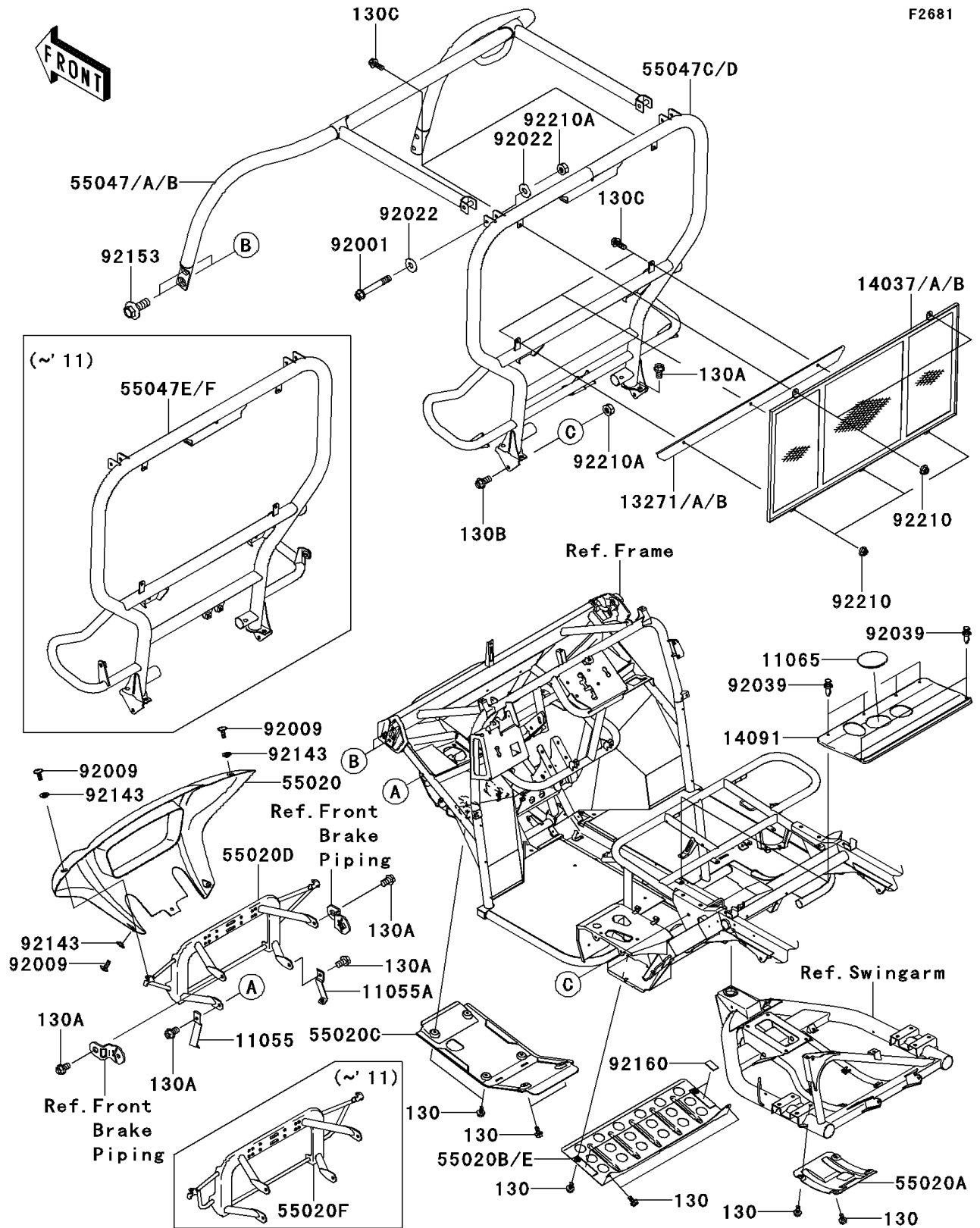


# 2013 MULE™ 610 4x4 XC PARTS DIAGRAM

Guards/Cab Frame

F2681



## 2013 MULE™ 610 4x4 XC PARTS LIST

### Guards/Cab Frame

ITEM NAME	PART NUMBER	QUANTITY
BRACKET,LH (Ref # 11055)	11055-7510	1
BRACKET,RH (Ref # 11055A)	11055-7511	1
CAP,F.BLACK (Ref # 11065)	11065-1053-6Z	1
PLATE,SCREEN,T.M.GRAY (Ref # 13271A)	13271-0560-16Y	1
SCREEN,T.M.GRAY (Ref # 14037A)	14037-0035-16Y	1
COVER (Ref # 14091)	14091-0355	1
GUARD,FRONT BUMPER,F.BLACK (Ref # 55020)	55020-0090-6Z	1
GUARD,DIFF (Ref # 55020A)	55020-0141	1
GUARD,FRONT DIFF (Ref # 55020C)	55020-0165	1
GUARD,FRONT (Ref # 55020D)	55020-0777	1
GUARD (Ref # 55020E)	55020-0883	1
BAR-COMP,FR,T.M.GRAY (Ref # 55047A)	55047-0006-16Y	1
BAR-COMP,RR,T.M.GRAY (Ref # 55047D)	55047-0329-16Y	1
BOLT,FLANGED,10X70 (Ref # 92001)	92001-1618	2
SCREW,6X16 (Ref # 92009)	92009-1621	5
WASHER,10.5X26X2.3,BLACK (Ref # 92022)	92022-1396	4
RIVET (Ref # 92039)	92039-1229	6
COLLAR (Ref # 92143)	92143-1087	5
BOLT,FLANGED,14X36 (Ref # 92153)	92153-1282	4
DAMPER (Ref # 92160)	92160-1102	2
NUT,FLANGED,LOCK,8MM (Ref # 92210)	92210-0005	5
NUT,LOCK,10MM (Ref # 92210A)	92210-1204	4
BOLT-FLANGED,6X12 (Ref # 130)	130BA0612	14
BOLT-FLANGED,10X16 (Ref # 130A)	130BA1016	8
BOLT-FLANGED,10X20 (Ref # 130B)	130BA1020	2
BOLT-FLANGED,8X20 (Ref # 130C)	130BB0820	5