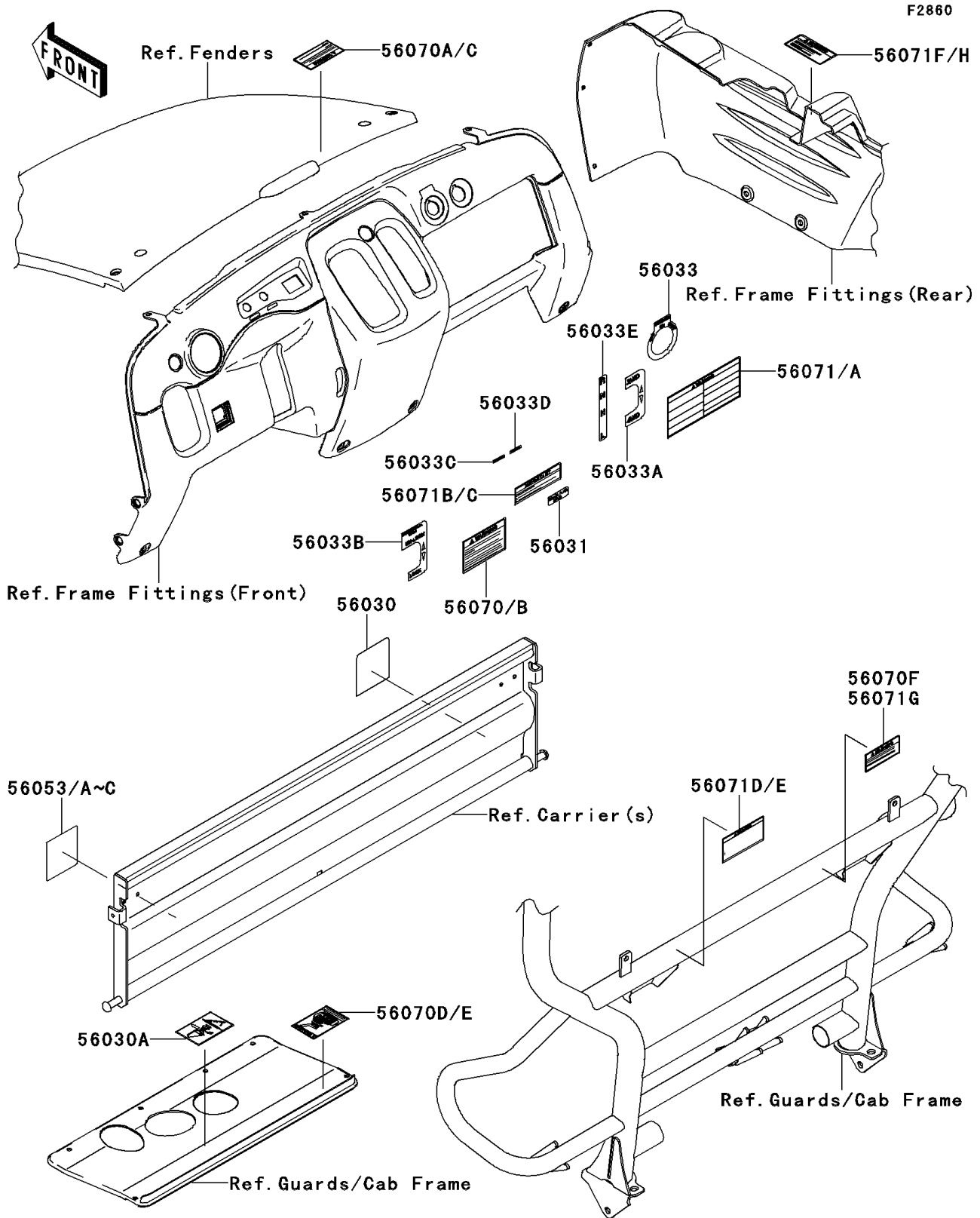


2011 MULE™ 610 4x4 XC PARTS DIAGRAM

Labels



2011 MULE™ 610 4x4 XC PARTS LIST

Labels

| ITEM NAME | PART NUMBER | QUANTITY |
|--|-------------|----------|
| LABEL,CARRIER HOOK OPERATION (Ref # 56030) | 56030-0081 | 1 |
| LABEL,OIL GAUGE (Ref # 56030A) | 56030-0096 | 1 |
| LABEL-MANUAL,BRAKE FLUID LEVEL (Ref # 56031) | 56031-1818 | 1 |
| LABEL-MANUAL,IGNITION (Ref # 56033) | 56033-0051 | 1 |
| LABEL-MANUAL,2/4WD (Ref # 56033A) | 56033-0052 | 1 |
| LABEL-MANUAL,DIFF LOCK (Ref # 56033B) | 56033-0053 | 1 |
| LABEL-MANUAL,OIL TEMP (Ref # 56033C) | 56033-0054 | 1 |
| LABEL-MANUAL,PARKING (Ref # 56033D) | 56033-0055 | 1 |
| LABEL-MANUAL,SHIFT (Ref # 56033E) | 56033-0056 | 1 |
| LABEL-SPECIFICATION,TIRE&LOAD (Ref # 56053B) | 56053-7546 | 1 |
| LABEL-SPECIFICATION,TIRE&LOAD,FRN (Ref # 56053C) | 56053-7547 | 1 |
| LABEL-WARNING,OFF-HIGHWAY (Ref # 56070) | 56070-0050 | 1 |
| LABEL-WARNING,BONNET OPERATION (Ref # 56070A) | 56070-0053 | 1 |
| LABEL,OFF-HIGHWAY,FRN (Ref # 56070B) | 56070-0055 | 1 |
| LABEL-WARNING,BONNET OPERATION (Ref # 56070C) | 56070-0058 | 1 |
| LABEL-WARNING,HOT SURFACES (Ref # 56070D) | 56070-1125 | 1 |
| LABEL,HOT SURFACES,FRN (Ref # 56070E) | 56070-1234 | 1 |
| LABEL-WARNING,BED RAISED (Ref # 56070F) | 56070-7515 | 1 |
| LABEL-WARNING,GENERAL (Ref # 56071) | 56071-0101 | 1 |
| LABEL-WARNING,GENERAL,FRN (Ref # 56071A) | 56071-0109 | 1 |
| LABEL-WARNING,SHIFT NOTICE (Ref # 56071B) | 56071-0132 | 1 |
| LABEL-WARNING,SHIFT NOTICE,FRN (Ref # 56071C) | 56071-0133 | 1 |
| LABEL-WARNING,GASOLINE (Ref # 56071D) | 56071-0134 | 1 |
| LABEL-WARNING,GASOLINE,FRN (Ref # 56071E) | 56071-0135 | 1 |
| LABEL-WARNING,GASOLINE (Ref # 56071F) | 56071-7501 | 1 |
| LABEL,BED RAISED,FRN (Ref # 56071G) | 56071-7504 | 1 |
| LABEL,GASOLINE,FRN (Ref # 56071H) | 56071-7505 | 1 |