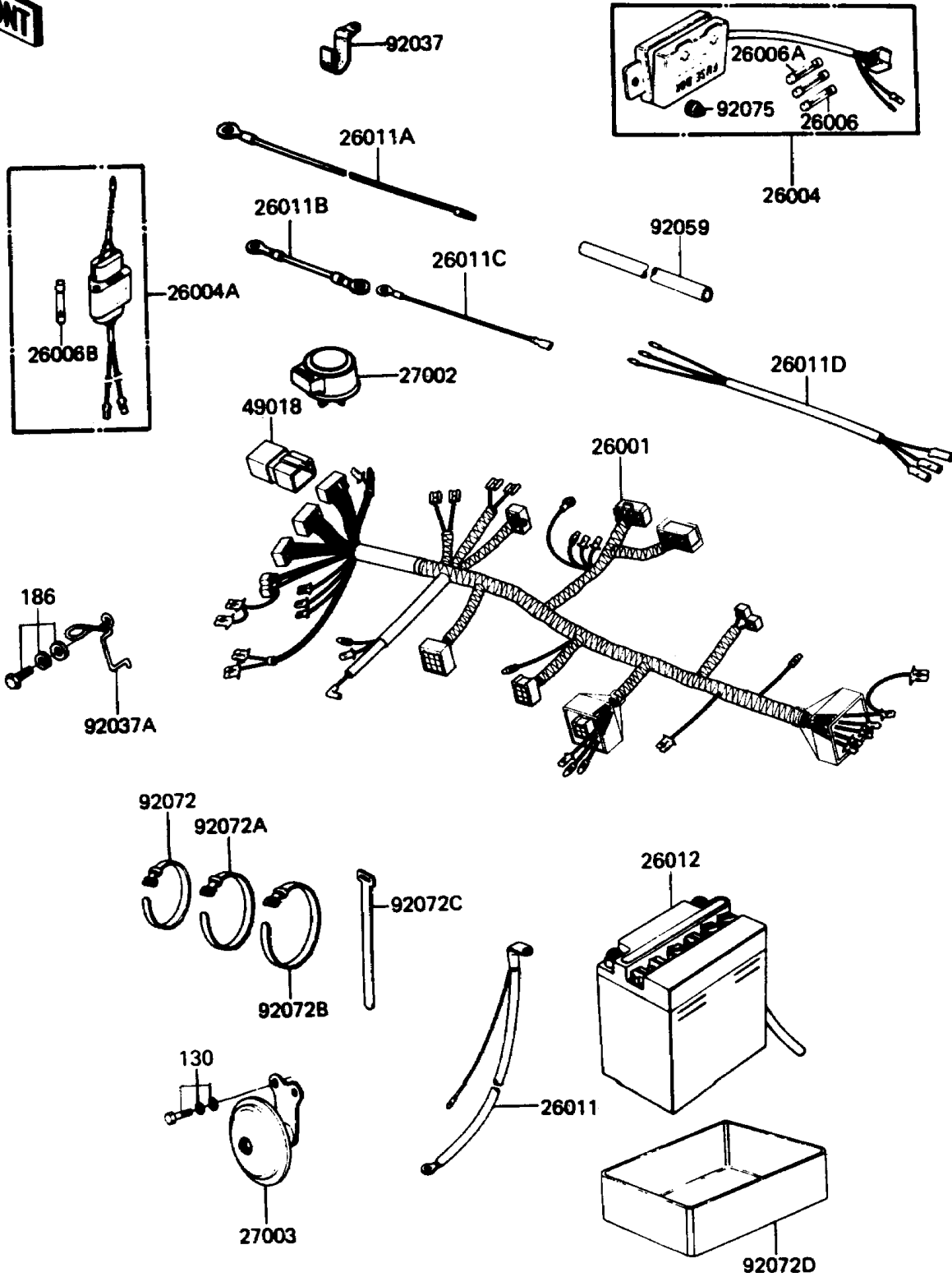


1988 LTD PARTS DIAGRAM

Chassis Electrical Equipment

F2760-0102



1988 LTD PARTS LIST

Chassis Electrical Equipment

ITEM NAME	PART NUMBER	QUANTITY
HARNESS,MAIN (Ref # 26001)	26001-1832	1
FUSE-ASSY (Ref # 26004)	26004-035	1
FUSE-ASSY,ACCESSORY (Ref # 26004A)	26004-1014	1
FUSE,10A,L=25 (Ref # 26006)	26006-003	3
FUSE,20A,L=25 (Ref # 26006A)	26006-005	2
FUSE,10A,L=30 (Ref # 26006B)	26006-1002	3
WIRE-LEAD,BATTERY GROUND (Ref # 26011)	26010-052	1
WIRE-LEAD,L=285 (Ref # 26011A)	26011-095	2
WIRE-LEAD,CRANKCASE GROUND (Ref # 26011B)	26011-1034	1
WIRE-LEAD,ACCESSORY FUSE,L=100 (Ref # 26011C)	26011-1110	1
WIRE-LEAD,TAIL LAMP (Ref # 26011D)	26011-1176	1
BATTERY,12V 11AH,YB10L-A2 (Ref # 26012)	26012-1170	1
RELAY-ASSY,TURN SIGNAL (Ref # 27002)	27002-011	1
HORN (Ref # 27003)	27003-1060	1
DIODE (Ref # 49018)	49018-1052	1
CLAMP,WIRING HARNESS (Ref # 92037)	92037-1069	4
CLAMP (Ref # 92037A)	92037-1379	1
TUBE,8X9X200 (Ref # 92059)	92059-1150	2
BAND,L=123 (Ref # 92072)	92072-030	6
BAND,L=149 (Ref # 92072A)	92072-031	3
BAND,L=218 (Ref # 92072B)	92072-032	2
BAND,L=95 (Ref # 92072C)	92072-067	1
BAND,BATTERY (Ref # 92072D)	92072-1020	1
DAMPER,FUSE (Ref # 92075)	92075-279	1
BOLT-FLANGED,6X14 (Ref # 130)	130D0614	2
BOLT-UPSET-WP (Ref # 186)	186B0612	1