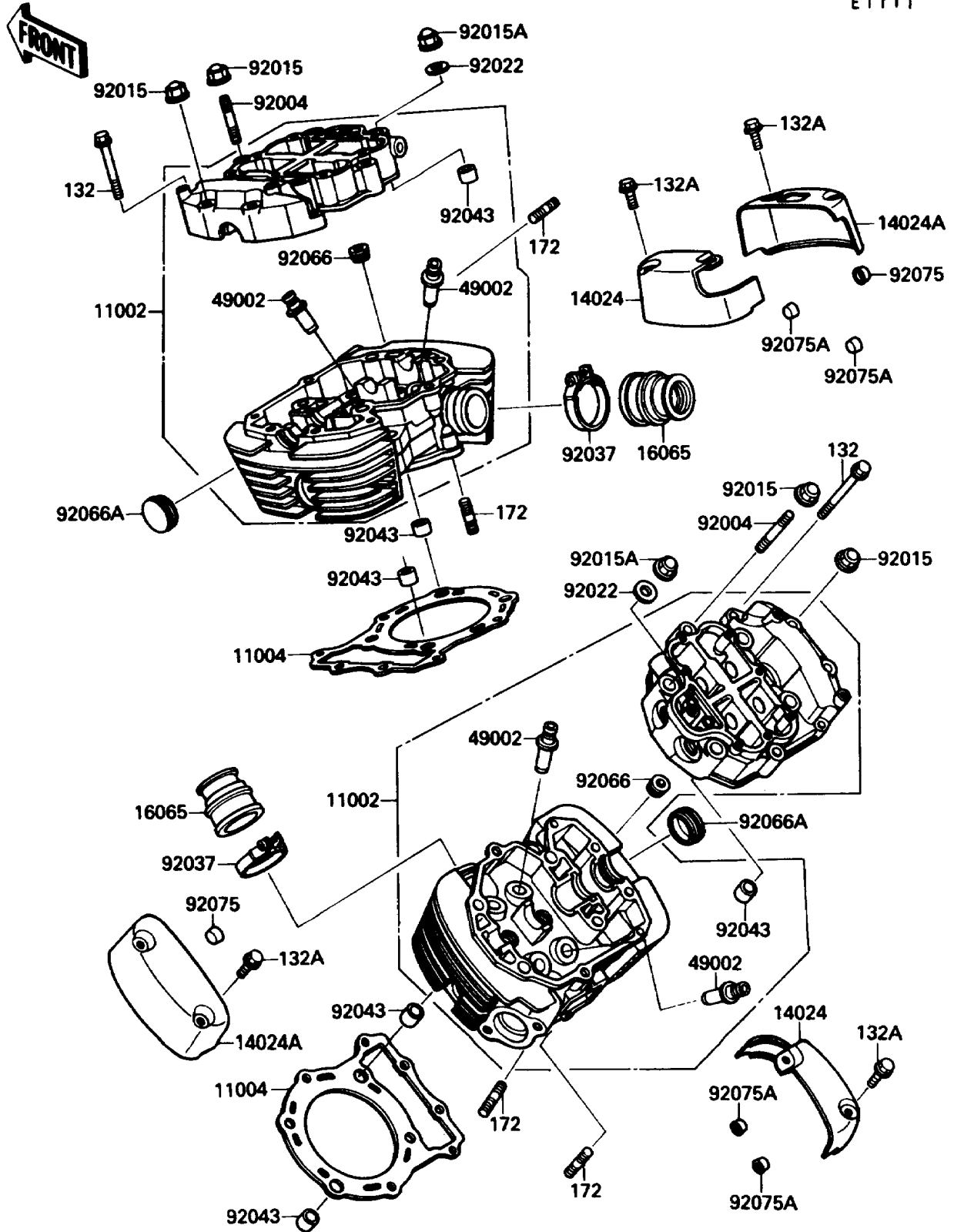


1991 Vulcan 88 PARTS DIAGRAM

Cylinder Head

E1111



1991 Vulcan 88 PARTS LIST

Cylinder Head

| ITEM NAME | PART NUMBER | QUANTITY |
|----------------------------------|-------------|----------|
| HEAD-ASSY-CYLINDER (Ref # 11002) | 11002-1229 | 2 |
| GASKET-HEAD (Ref # 11004) | 11004-1161 | 2 |
| COVER,ROCKER (Ref # 14024) | 14024-1570 | 2 |
| COVER,ROCKER (Ref # 14024A) | 14024-1617 | 2 |
| HOLDER-CARBURETOR (Ref # 16065) | 16065-1153 | 2 |
| GUIDE-VALVE (Ref # 49002) | 49002-1088 | AR |
| STUD,8X51.5 (Ref # 92004) | 92004-1173 | 4 |
| NUT,CAP,8MM (Ref # 92015) | 92015-1371 | 8 |
| NUT,CAP,12MM (Ref # 92015A) | 92015-1648 | 8 |
| WASHER,12.3X25X3.2 (Ref # 92022) | 92022-1862 | 8 |
| CLAMP (Ref # 92037) | 92037-1632 | 2 |
| PIN,DOWEL,13X16X14 (Ref # 92043) | 92043-1349 | 8 |
| PLUG (Ref # 92066) | 92066-1253 | 4 |
| PLUG (Ref # 92066A) | 92066-1289 | 2 |
| DAMPER (Ref # 92075) | 92075-1995 | 2 |
| DAMPER (Ref # 92075A) | 92075-1996 | 4 |
| BOLT-FLANGED-SMALL (Ref # 132) | 132E06115 | 4 |
| BOLT-FLANGED-SMALL (Ref # 132A) | 132E0612 | 8 |
| BOLT-STUD,8X25 (Ref # 172) | 172G0825 | 8 |