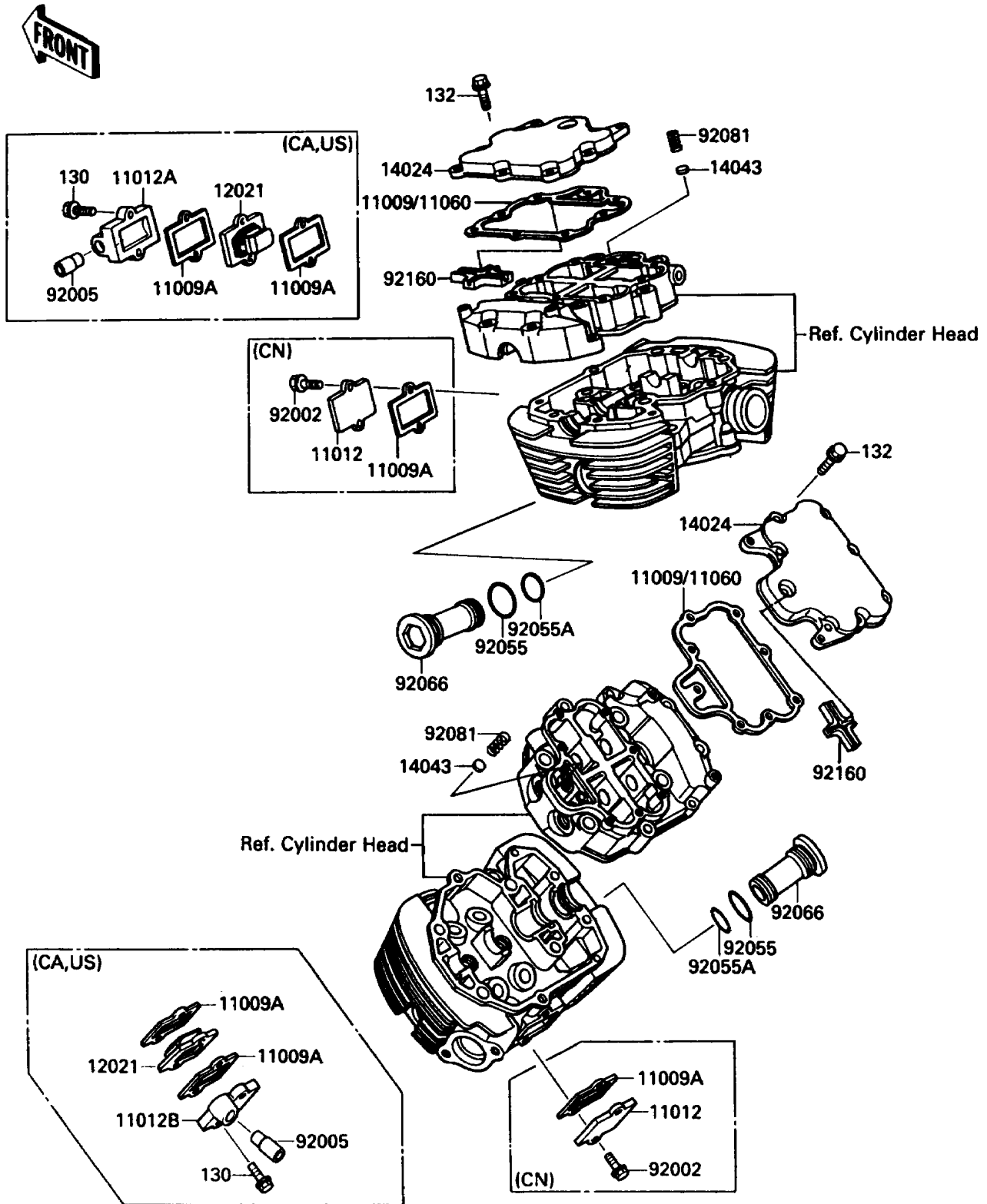


1987 Vulcan 88 PARTS DIAGRAM

Cylinder Head Cover

E1112



1987 Vulcan 88 PARTS LIST

Cylinder Head Cover

ITEM NAME	PART NUMBER	QUANTITY
GASKET,ROCKER CASE COVER (Ref # 11009)	11009-1715	2
GASKET,REED VALVE (Ref # 11009A)	11009-1879	4
GASKET,REED VALVE (Ref # 11009A)	11009-1879	2
CAP,CYLINDER HEAD COVER (Ref # 11012)	11012-1484	2
CAP,REED VALVE,FR (Ref # 11012A)	11012-1494	1
CAP,REED VALVE,RR (Ref # 11012B)	11012-1574	1
VALVE-ASSY-REED (Ref # 12021)	12021-1073	2
COVER,ROCKER CASE (Ref # 14024)	14024-1405	2
FILTER,OIL (Ref # 14043)	14043-1056	4
BOLT (Ref # 92002)	92002-1626	4
FITTING,REED VALVE (Ref # 92005)	92005-1006	2
RING-O,31.5X2.6 (Ref # 92055)	92055-049	2
RING-O,27.7X1.9 (Ref # 92055A)	92055-1272	2
PLUG,SLEEVE (Ref # 92066)	92066-1274	2
SPRING,OIL FILTER (Ref # 92081)	92081-1776	4
DAMPER (Ref # 92160)	92075-1998	2
BOLT-FLANGED (Ref # 130)	130N0620	4
BOLT-FLANGED-SMALL (Ref # 132)	132E0620	16