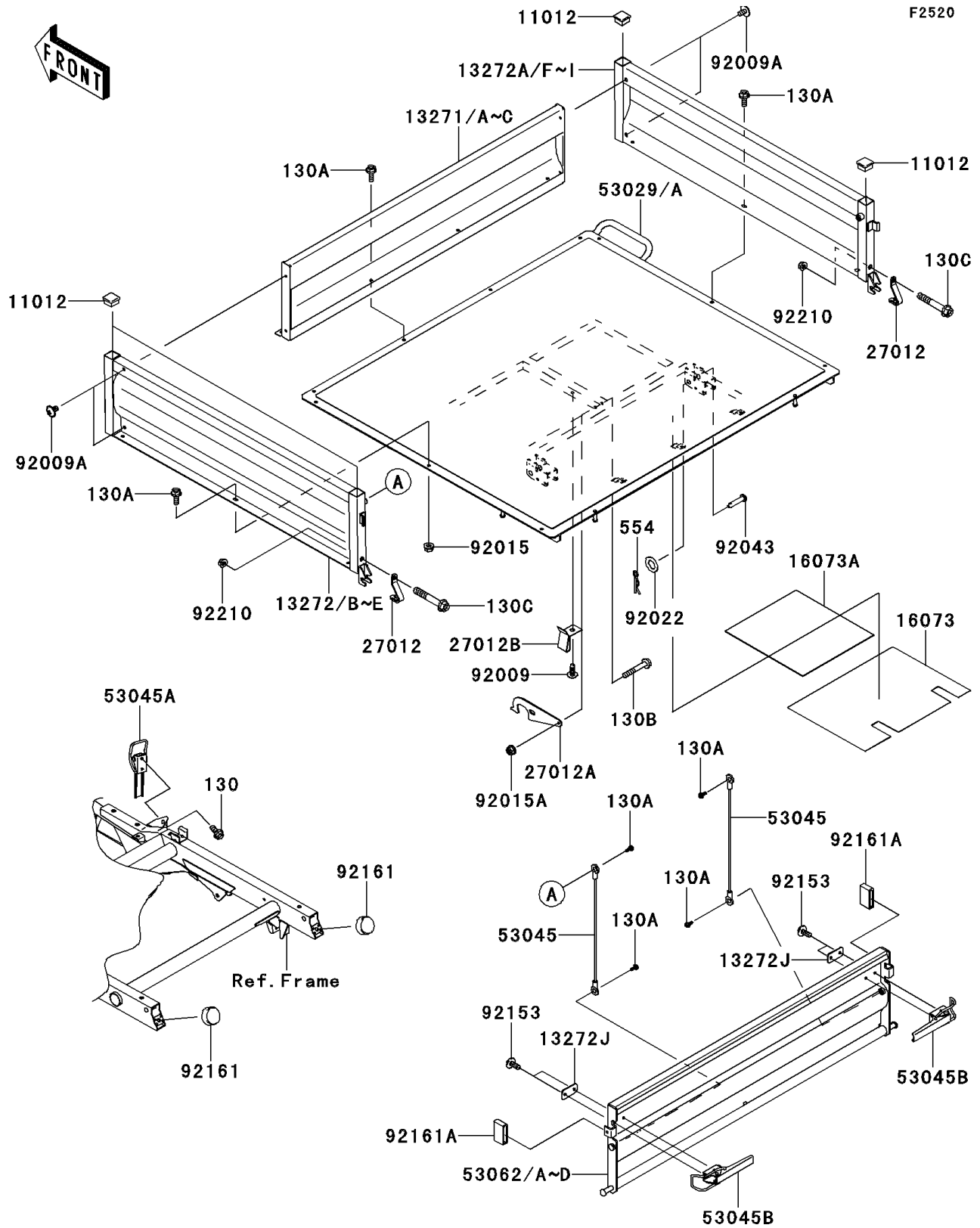


2013 MULE™ 600 PARTS DIAGRAM

Carrier(s)



2013 MULE™ 600 PARTS LIST

Carrier(s)

| ITEM NAME | PART NUMBER | QUANTITY |
|--|----------------|----------|
| CAP (Ref # 11012) | 11012-1784 | 4 |
| PLATE,CARRIER,SIDE,FR,S.GREEN (Ref # 13271B) | 13271-0394-42F | 1 |
| PLATE,LH,S.GREEN (Ref # 13272D) | 13272-1134-42F | 1 |
| PLATE,RH,S.GREEN (Ref # 13272H) | 13272-1135-42F | 1 |
| PLATE (Ref # 13272J) | 13272-7516 | 2 |
| INSULATOR,CARRIER (Ref # 16073) | 16073-0040 | 1 |
| INSULATOR (Ref # 16073A) | 16073-7501 | 1 |
| HOOK,TAIL GATE (Ref # 27012) | 27012-0022 | 2 |
| HOOK (Ref # 27012A) | 27012-0044 | 1 |
| HOOK,CARRIER (Ref # 27012B) | 27012-1445 | 1 |
| CARRIER,BLACK (Ref # 53029) | 53029-0088-10 | 1 |
| HOOK-ASSY,TAIL GATE (Ref # 53045) | 53045-0006 | 2 |
| HOOK-ASSY (Ref # 53045A) | 53045-1063 | 1 |
| HOOK-ASSY (Ref # 53045B) | 53045-7503 | 2 |
| GATE-TAIL,S.GREEN (Ref # 53062B) | 53062-0303-42F | 1 |
| SCREW,TAPPING,6X16 (Ref # 92009) | 92009-1166 | 1 |
| SCREW,6X10 (Ref # 92009A) | 92009-1661 | 4 |
| NUT,FLANGED,6MM,BLACK (Ref # 92015) | 92015-1233 | 10 |
| NUT,LOCK,FLANGED,6MM (Ref # 92015A) | 92015-1675 | 1 |
| WASHER,12.5X22X1.2 (Ref # 92022) | 92022-072 | 2 |
| PIN,12X54 (Ref # 92043) | 92043-1451 | 2 |
| BOLT,SOCKET,6X14 (Ref # 92153) | 92153-1361 | 4 |
| DAMPER,SEAT (Ref # 92161) | 92161-1065 | 2 |
| DAMPER (Ref # 92161A) | 92161-7519 | 2 |
| NUT,FLANGED,8MM (Ref # 92210) | 92210-0555 | 2 |
| BOLT-FLANGED,6X14 (Ref # 130) | 130BA0614 | 2 |
| BOLT-FLANGED,6X16 (Ref # 130A) | 130BB0616 | 14 |
| BOLT-FLANGED,6X40 (Ref # 130B) | 130BB0640 | 1 |
| BOLT-FLANGED,8X50 (Ref # 130C) | 130BB0850 | 2 |

2013 MULE™ 600 PARTS LIST

Carrier(s)

| ITEM NAME | PART NUMBER | QUANTITY |
|---------------------------|-------------|----------|
| PIN-SNAP,12MM (Ref # 554) | 554DA1200 | 2 |