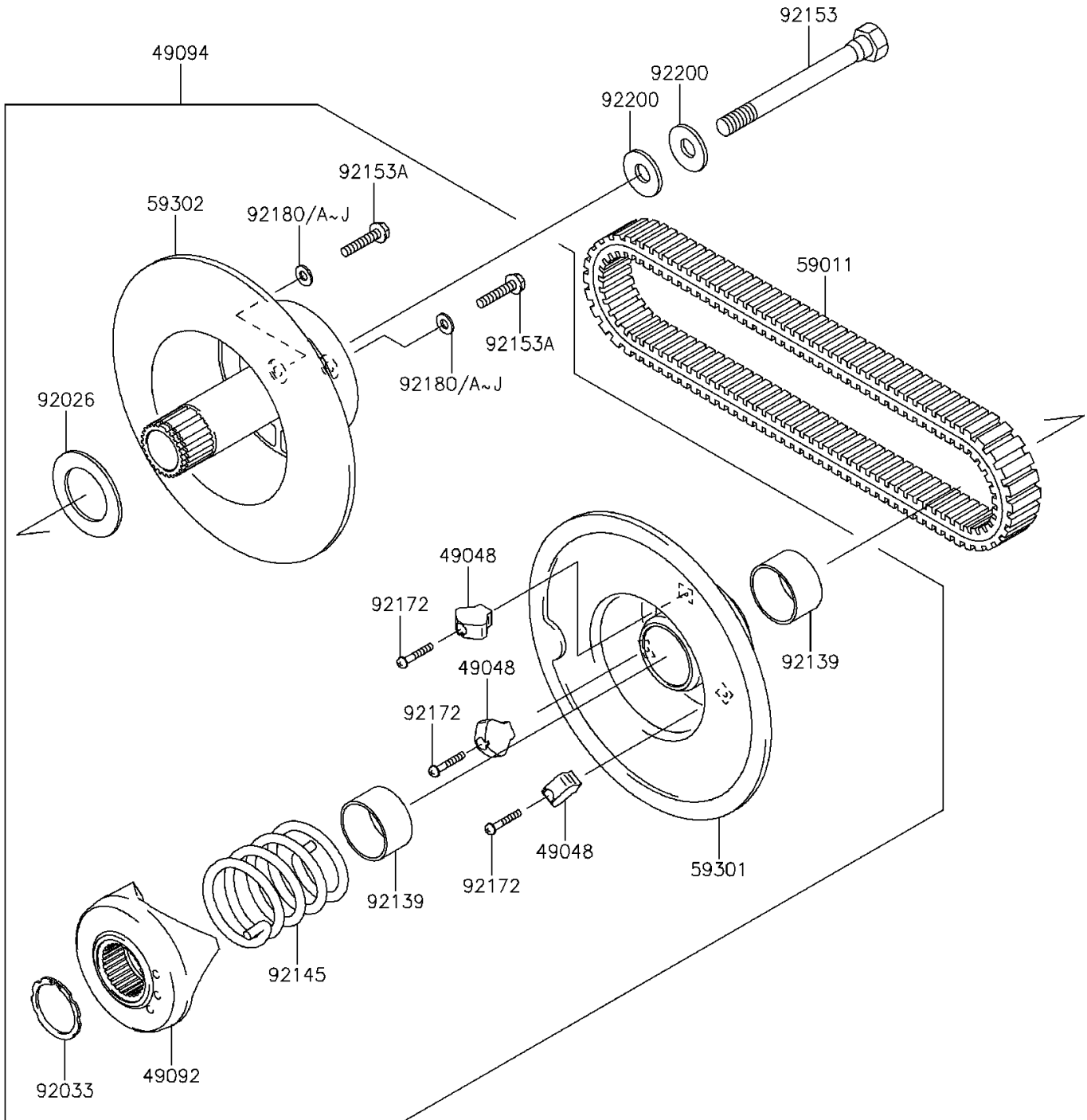


2015 MULE™ 610 4x4 XC CAMO PARTS DIAGRAM

Driven Converter/Drive Belt

E1392



2015 MULE™ 610 4x4 XC CAMO PARTS LIST

Driven Converter/Drive Belt

| ITEM NAME | PART NUMBER | QUANTITY |
|-------------------------------------|-------------|----------|
| SHOE (Ref # 49048) | 49048-0001 | 3 |
| RAMP (Ref # 49092) | 49092-0005 | 1 |
| CONVERTER-ASSY-DRIVEN (Ref # 49094) | 49094-0049 | 1 |
| BELT (Ref # 59011) | 59011-0011 | 1 |
| SHEAVE-MOVABLE (Ref # 59301) | 59301-0009 | 1 |
| SHEAVE-COMP, FIXED (Ref # 59302) | 59302-0028 | 1 |
| SPACER, 38X60X2.5 (Ref # 92026) | 92026-0046 | 1 |
| RING-SNAP (Ref # 92033) | 92033-0053 | 1 |
| BUSHING (Ref # 92139) | 92139-0054 | 2 |
| SPRING (Ref # 92145) | 92145-0743 | 1 |
| BOLT, 12X121 (Ref # 92153) | 92153-0593 | 1 |
| BOLT, 6X28 (Ref # 92153A) | 92153-0833 | 2 |
| SCREW, 4X25 (Ref # 92172) | 92172-0060 | 3 |
| SHIM, T=0.8 (Ref # 92180) | 92180-0150 | AR |
| SHIM, T=1.0 (Ref # 92180A) | 92180-0151 | AR |
| SHIM, T=1.2 (Ref # 92180B) | 92180-0152 | AR |
| SHIM, T=1.4 (Ref # 92180C) | 92180-0153 | 2 |
| SHIM, T=1.6 (Ref # 92180D) | 92180-0154 | AR |
| SHIM, T=1.8 (Ref # 92180E) | 92180-0155 | AR |
| SHIM, T=2.0 (Ref # 92180F) | 92180-0156 | AR |
| SHIM, T=2.3 (Ref # 92180G) | 92180-0157 | AR |
| SHIM, T=2.5 (Ref # 92180H) | 92180-0158 | AR |
| SHIM, T=2.8 (Ref # 92180I) | 92180-0159 | AR |
| SHIM, T=3.2 (Ref # 92180J) | 92180-0160 | AR |
| WASHER (Ref # 92200) | 92200-0249 | 2 |