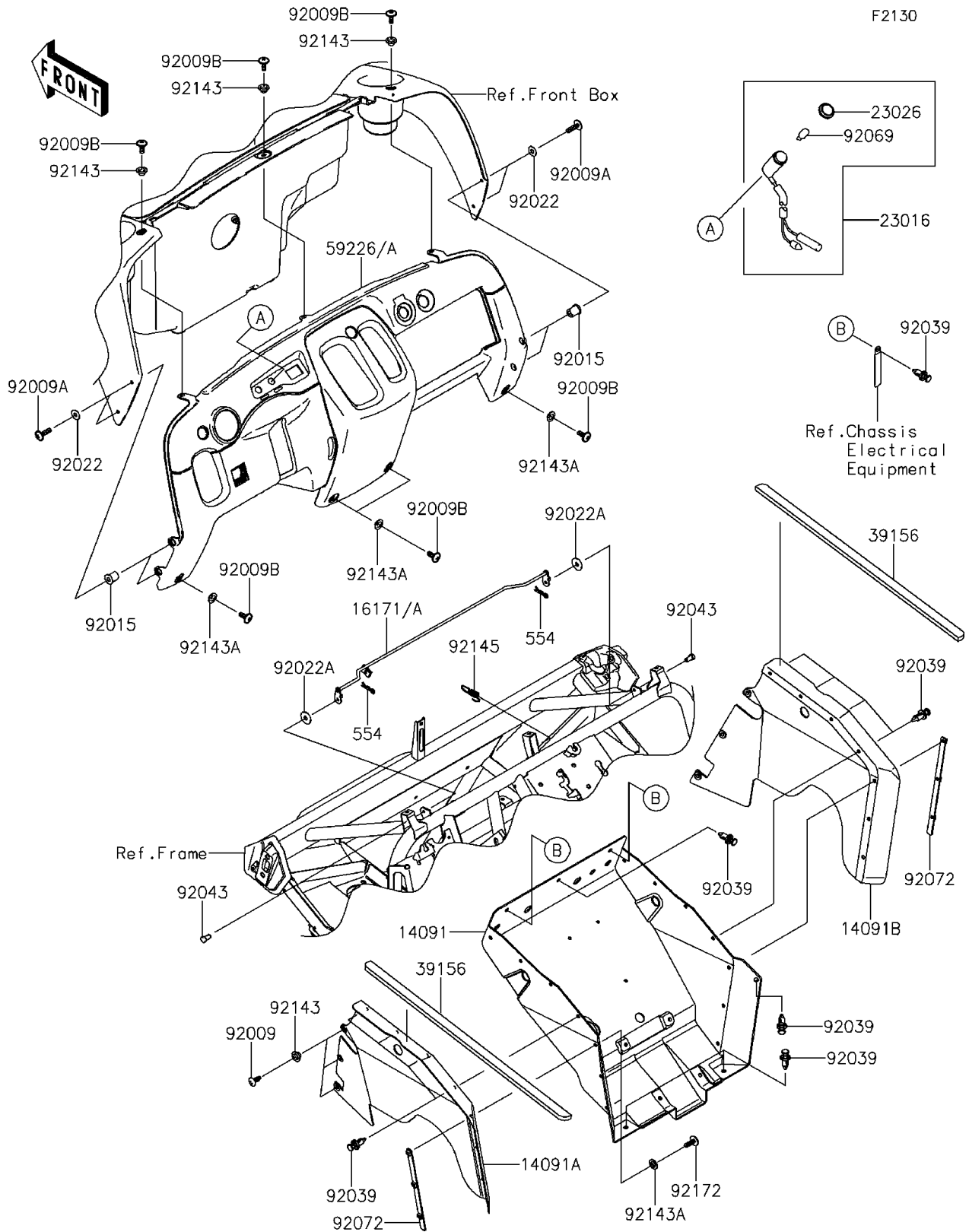


# 2015 MULE™ 610 4x4 XC CAMO PARTS DIAGRAM

## Frame Fittings(Front)



## 2015 MULE™ 610 4x4 XC CAMO PARTS LIST

### Frame Fittings(Front)

| ITEM NAME                              | PART NUMBER   | QUANTITY |
|--|---------------|----------|
| COVER,FLOOR,CNT (Ref # 14091)          | 14091-0408    | 1        |
| COVER,FLOOR,SIDE,LH (Ref # 14091A)     | 14091-0424    | 1        |
| COVER,FLOOR,SIDE,RH (Ref # 14091B)     | 14091-0425    | 1        |
| LINK,HOOD (Ref # 16171)                | 16171-0026    | 1        |
| LAMP-ASSY,TEMP (Ref # 23016)           | 23016-1128    | 2        |
| LENS,TEMP LAMP (Ref # 23026)           | 23026-1157    | 2        |
| PAD (Ref # 39156)                      | 39156-0071    | 2        |
| PANEL-CONTROL,F.BLACK (Ref # 59226A)   | 59226-0009-6Z | 1        |
| SCREW,TAPPING,6X16 (Ref # 92009)       | 92009-1166    | 6        |
| SCREW,6X22,BLACK (Ref # 92009A)        | 92009-1256    | 4        |
| SCREW,6X16 (Ref # 92009B)              | 92009-1621    | 7        |
| NUT (Ref # 92015)                      | 92015-1700    | 4        |
| WASHER,6.5X16X1 (Ref # 92022)          | 92022-1143    | 4        |
| WASHER,6.5X20X1.6,BLACK (Ref # 92022A) | 92022-1346    | 2        |
| RIVET (Ref # 92039)                    | 92039-1229    | 15       |
| PIN,6X9 (Ref # 92043)                  | 92043-1626    | 2        |
| BULB,12V 1.7W,T10 (Ref # 92069)        | 92069-1059    | 2        |
| BAND (Ref # 92072)                     | 92072-0042    | 2        |
| COLLAR (Ref # 92143)                   | 92143-1057    | 9        |
| COLLAR (Ref # 92143A)                  | 92143-1087    | 10       |
| SPRING (Ref # 92145)                   | 92145-0215    | 1        |
| SCREW,6X18 (Ref # 92172)               | 92172-0002    | 6        |
| PIN-SNAP (Ref # 554)                   | 554DA0600     | 2        |