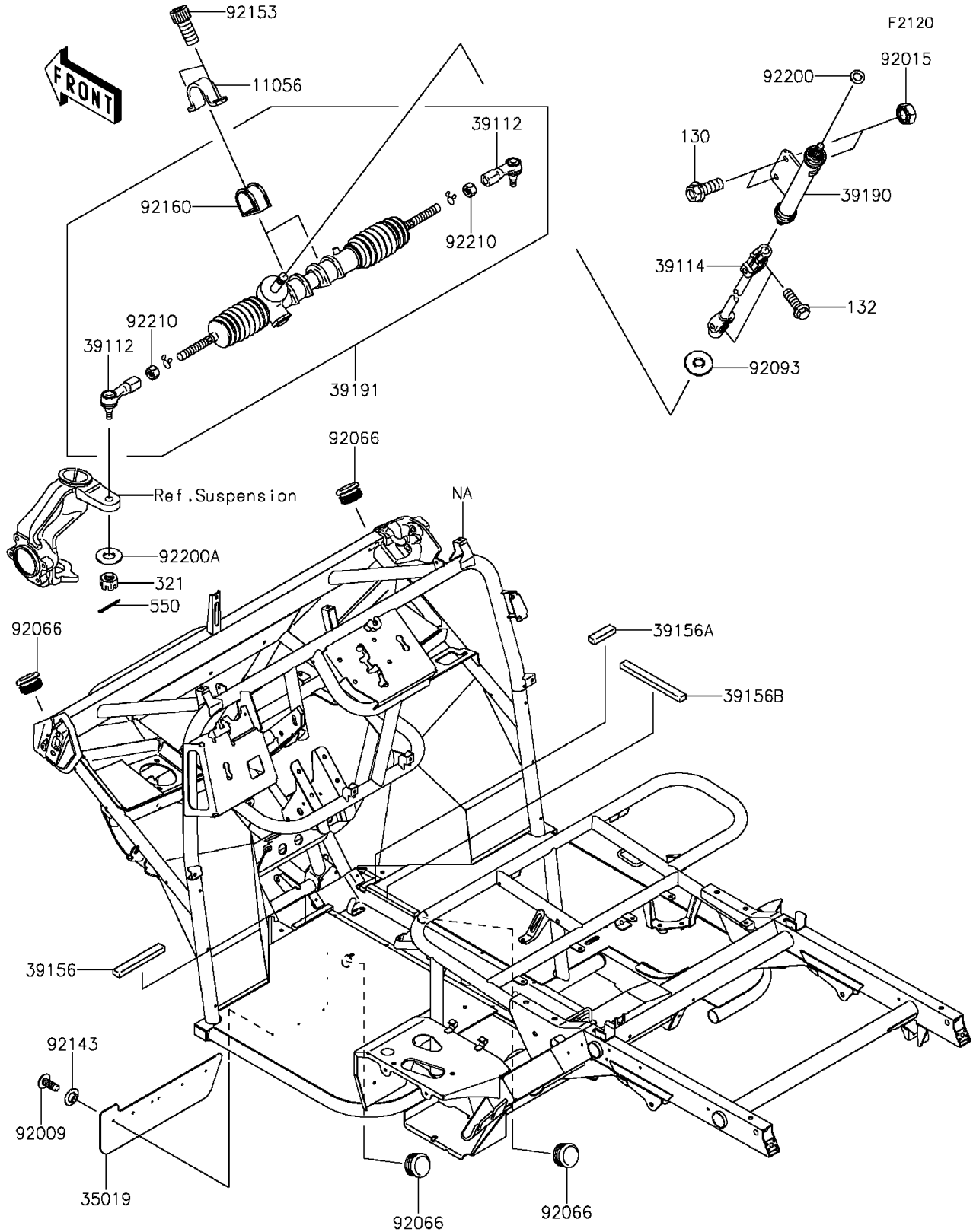


2015 Mule™ 610 4x4 XC PARTS DIAGRAM

Frame



2015 Mule™ 610 4x4 XC PARTS LIST

Frame

| ITEM NAME | PART NUMBER | QUANTITY |
|----------------------------------------|-------------|----------|
| BRACKET,STEERING GEAR (Ref # 11056) | 11056-2238 | 2 |
| FLAP (Ref # 35019) | 35019-0589 | 2 |
| RODEND-TIE,STEERING GEAR (Ref # 39112) | 39112-0008 | 2 |
| SHAFT-COMP-STRG (Ref # 39114) | 39114-0003 | 1 |
| PAD (Ref # 39156) | 39156-0068 | 1 |
| PAD (Ref # 39156A) | 39156-0069 | 1 |
| PAD (Ref # 39156B) | 39156-0070 | 1 |
| SHAFT-ASSY-STEERING (Ref # 39190) | 39190-0004 | 1 |
| GEAR-ASSY-STEERING (Ref # 39191) | 39191-0023 | 1 |
| SCREW,TAPPING,6X16 (Ref # 92009) | 92009-1166 | 12 |
| NUT,LOCK,10MM,BLACK (Ref # 92015) | 92015-1189 | 2 |
| PLUG (Ref # 92066) | 92066-0036 | 4 |
| SEAL (Ref # 92093) | 92093-1313 | 1 |
| COLLAR (Ref # 92143) | 92143-1087 | 12 |
| BOLT,SOCKET,10X23 (Ref # 92153) | 92153-1269 | 4 |
| DAMPER,STEERING GEAR (Ref # 92160) | 92160-1084 | 2 |
| WASHER,15X25X1.6 (Ref # 92200) | 92200-0460 | 1 |
| WASHER,10.3X23X1.6 (Ref # 92200A) | 92200-2009 | 2 |
| NUT,14MM (Ref # 92210) | 92210-0217 | 2 |
| BOLT-FLANGED,10X25 (Ref # 130) | 130BB1025 | 2 |
| BOLT-FLANGED-SMALL,8X25 (Ref # 132) | 132BB0825 | 2 |
| NUT-CASTLE (Ref # 321) | 321BA1000 | 2 |
| PIN-COTTER,2.0X22 (Ref # 550) | 550AA2022 | 2 |